



Binder spreader

BS 3200

Fields of application:

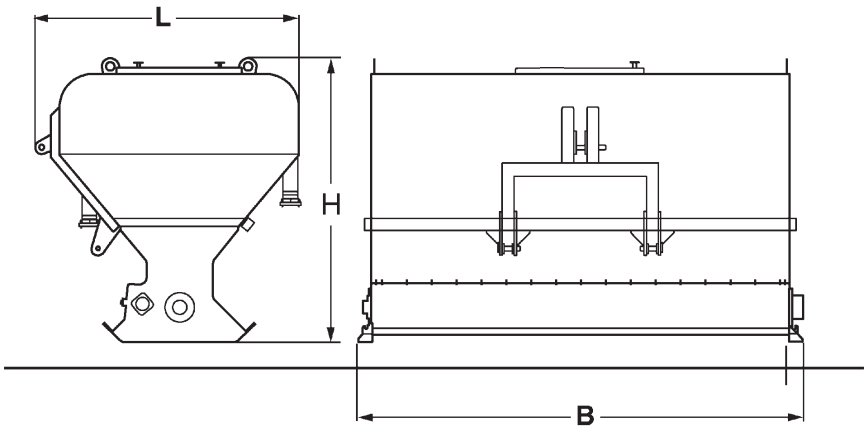
For the uniform application of powdered binders, such as cement, lime, and fly ash or mixed binders for the improvement or compaction of soils.

Standard equipment

- 1 Rotary valve
- Filler connection for compressed air
- Filler opening for hopper
- Weigh plate for controlled weighing

Optional equipment

- Dust back



Dimensions inmm	L	B	H
BS 3200	1600	2700	1700

Technical Data

**BOMAG
BS 3200**

Type		Front-mounted spreader
Capacity	m ³	3,2
Theoretical yield*	l/m ²	20
Working width	mm	2500
Number of rotary valves		1
Weight (empty)	kg	1100
Permiss. total weight	kg	dependent on tractor type
Payload	kg	3200
Oil requirement	l/min	20

*at working speed 1 km/h