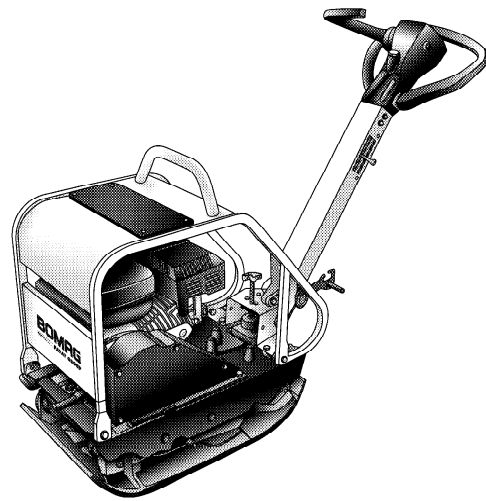


REVERSIBLE VIBRATORY PLATES BPR 25/40 D, BPR 25/50 D

PERFORMANCE DATA



Machine type	Compaction output (m ³ /h) at recommended soil layer thicknesses			
	Rock fill	Gravel, sand	Mixed soil	Silt, clay
BPR 25/40 D	-	15-24	13-20	8-12
BPR 25/50 D	-	15-24	13-20	8-12

Technical Data

Shipping dimensions in m³

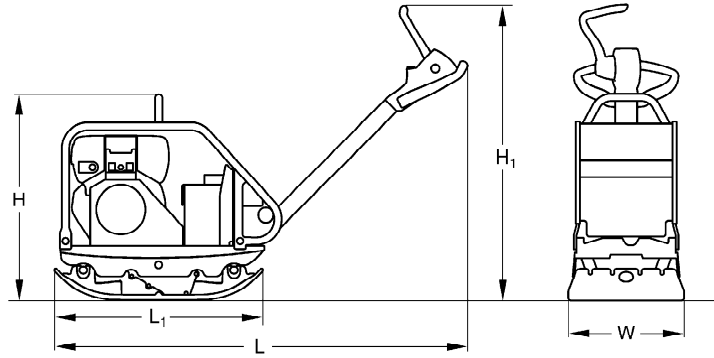
BPR 25/40 D	0,432
BPR 25/50 D	0,540

Standard

- Engine protection frame
- Single lever control
- Low vibration steering rod
- Height adjustable steering rod
- Steering rod lockable in transport and working position
- Vibration and throttle regulation on the steering rod
- Highly wear resistant base plate
- Fully protected V-belt
- Automatic decompression
- Recoil starter
- Back-up drive protection
- Automatic shutdown at low oil level

Options

- Sprinkler system
- Transport wheels
- Tool kit
- Special painting
- Plastic mat
- Service Kit



Dimensions in mm

	H	H1	L	L1	W
BPR 25/40 D	740	870	1460	650	400
BPR 25/50 D	740	870	1460	650	500

Technical Data

Weights

Operating weight CECE (W)	kg	129
Basic weight	kg	126

Dimensions

Basic working width	mm	400
Lowest passing height	mm	740

Driving Characteristics

Working speed, max.	m/min	25
Max. gradeability (depending on soil conditions)	%	30

Drive

Engine manufacturer	Hatz	Hatz
Type	1B20	1B20
Cooling	air	air
Number of cylinders	1	1
Performance ISO 9249	kW	3,1
Speed	min ⁻¹	3.000
Drive system	mech.	mech.
Fuel	diesel	diesel

Exciter system

Frequency	Hz	85
Centrifugal force	kN	25

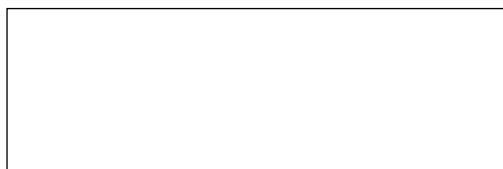
Capacities

Fuel	l	3
Water	l	12

Technical modifications reserved. Machines may be shown with options.

BOMAG BPR 25/40 D

BOMAG BPR 25/50 D



BOMAG
Hellerwald
D-56154 Boppard
P.O. Box 5162
Tel. (0)6742 - 1000
Fax (0)6742 - 3090
Fax (0)6742 - 3090

BOMAG
FAYAT GROUP