

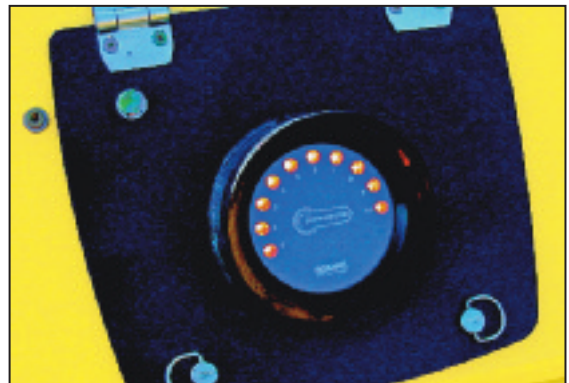
# BOMAG

FAYAT GROUP

## Reversible Vibratory Plates BPR65/70D, BPR100/80D



*Tip Control* – A forward and reverse travel control that offers outstanding operator comfort and ease of handling.

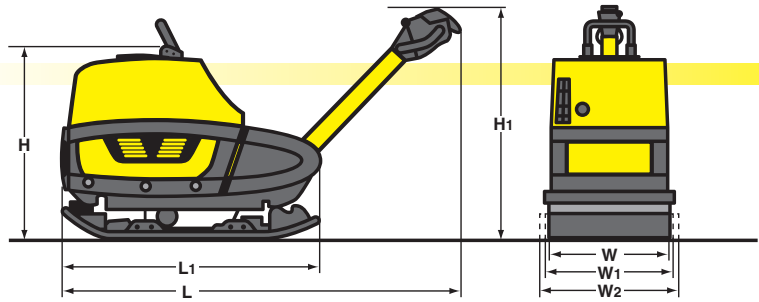


*BOMAG Economizer* - A soil stiffness indicator providing greater productivity and reduced machine wear.



# Technical Specifications

## Reversible Plates



### Shipping dimensions

in cubic feet (m<sup>3</sup>)

BPR65/70D	55.6	(1.57)
BPR100/80D	58.5	(1.66)

### Standard Equipment

- Fully closed engine protection hood made of high strength steel
- Tip control for easy forward and reverse
- Hydraulic travel lever adjustment
- Low vibration steering rod with four rubber supports
- Steering rod lockable in transport and working positions
- Vibration and throttle regulation controls on the steering rod
- Multi-functional, foldable single lifting point
- Automatically adjusting V-belt pulley
- Fully protected V-belt
- Electric starter with warning buzzer to switch off ignition
- BOMAG Economizer (BPR100/80D)
- Backup protection
- Safety crank-handle for emergency starting
- Bumper protection

### Optional Equipment

- BOMAG Economizer (BPR65/70D)
- Extension plates
- Vulcolan mat (BPR65/70D)
- Hour meter
- Service kit

### Dimensions in inches (mm)

	H	H <sub>1</sub>	L	L <sub>1</sub>	W	W <sub>1</sub>	W <sub>2</sub>
BPR65/70D	34.3 (870)	40.6 (1030)	74.4 (1860)	38.6 (980)	21.7 (550)	27.6 (700)	33.5 (850)
BPR100/80D	35.8 (910)	42.5 (1080)	74.4 (1890)	38.6 (980)	25.6 (650)	31.5 (800)	37.4 (950)

### Technical Data

#### Weights

	BOMAG BPR65/70D	BOMAG BPR100/80D
Basic Operating Weight .....	1257 (570) lbs (kg)	1559 (707) lbs (kg)
Operating Weight (W) .....	1226 (556) lbs (kg)	1515 (687) lbs (kg)
Operating Weight (W <sub>1</sub> ) .....	1276 (579) lbs (kg)	1570 (712) lbs (kg)
Operating Weight (W <sub>2</sub> ) .....	1312 (595) lbs (kg)	1601 (726) lbs (kg)

#### Dimensions

Standard working width (W <sub>1</sub> ) .....	27.6 (700) in (mm)	31.5 (800) in (mm)
Working width w/o extensions (W) .....	21.7 (550) in (mm)	25.6 (650) in (mm)
Dimensions .....	see sketch	see sketch

#### Driving Characteristics

Working speed max .....	91.9 (28) ft / min (m / min)	91.9 (28) ft / min (m / min)
Max. gradeability (depending on soil conditions) ...%	35	35

#### Drive

	BOMAG BPR65/70D	BOMAG BPR100/80D
Engine manufacturer .....	Hatz	Hatz
Type .....	1D 81 Z	1D 90 Z
Cooling .....	air	air
Number of cylinders .....	1	1
Performance ISO 9249 .....	12.5 (9.3) hp (kW)	13.8 (10.3) hp (kW)
Speed .....	2700	2600
Drive system .....	mech.	mech.
Fuel .....	Diesel	Diesel

#### Vibratory system

Frequency .....	4020 (67) vpm (Hz)	3360 (56) vpm (Hz)
Centrifugal force .....	15512 (69) lbs (kN)	22481 (100) lbs (kN)

#### Capacities

Fuel .....	2.6 (10) gal (l)	2.6 (10) gal (l)
------------	------------------	------------------

Technical modifications reserved. Machines may be shown with options.

MODEL	Compaction Output (yd <sup>3</sup> /h) at recommended soil layer thicknesses.			
	Rock Fill	Gravel, Sand	Mixed Soil	Silt, Clay
BPR65/70D	51 - 68	65 - 86	51 - 68	43 - 58
BPR100/80D	92 - 144	118 - 157	78 - 118	33 - 52

Note: The reference values in the above table are the result of compaction trials and practical applications. Under normal application conditions the required compaction values will be reached after four to eight passes.