

# BOMAG

FAYAT GROUP

## Multi-Purpose Articulated Compactor BMP8500

### BMP8500



Easy installation of standard bolt-on drum extensions increases compactor versatility.



Light weight, dual function cable / radio remote control is easy to operate.



# Technical Specifications

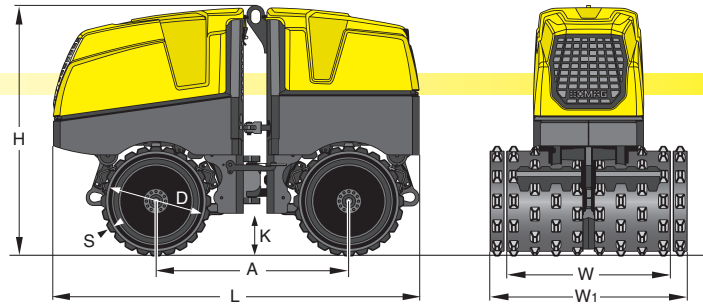
## BMP8500

### Shipping dimensions in cubic feet (m<sup>3</sup>)

BMP8500 77.7 (2.2)

### Standard Equipment

- Articulated steering
- Dual function cabled / radio remote control box
- Standard dual (2) working widths of 24 and 33.5 inches
- 1 inch padfoot height
- High centrifugal force and amplitude
- 2 selectable amplitudes
- Double exciter system with directed vibration
- Intelligent Vibration Control (IVC)
- 2 scrapers per drum
- Infinite speed control
- Water cooled Kubota engine with ECOMODE
- 2 travel speed ranges
- Spring-Applied, Hydraulically-Released (SAHR) parking brake
- Balanced, hinged center lift point
- Swing out/up covers
- Lockable hoods
- Easy service concept
- Diagnostic module with failure codes
- Diesel filter with water separator



### Dimensions in inches (mm)

	A	D	H	K	L	S	W	W <sub>1</sub>
BMP8500	39.4 (1000)	20.5 (520)	50.2 (1275)	8.7 (222)	74.7 (1897)	1.0 (25)	24.0 (610)	33.5 (850)

### Technical data

#### Weights

Basic Weight	lbs	(kg)	3583	(1625)
Operating Weight CECE	lbs	(kg)	3622	(1643)
Average axle load CECE	lbs	(kg)	1811	(822)

#### Dimensions

Working width	in	(mm)	24.0/33.5	(610/850)
Dimensions	See sketch			

#### Driving Characteristics (depending on site conditions)

Speed(1), forward / reverse	mph	(kmph)	0-0.8	(0-1.3)
Speed(2), forward / reverse	mph	(kmph)	0-1.6	(0-2.5)
Max. gradeability without/with vibration	%		55/45	

#### Drive

Engine manufacturer	Kubota		
Type	D1005		
Cooling	Water		
Number of cylinders	3		
Performance ISO 9249	hp	(kW)	19.4 (14.5)
Speed	2,600 rpm		
Fuel	Diesel		
Drive system	Hydrostatic		
Drum drive	Front + Rear		

#### Brakes

Service brake	Hydrostatic
Parking brake	SAHR

#### Steering

Steering system	Articulated
Steering method	Hydrostatic
Steering angle +/-	32°

#### Vibratory system

Vibrating drum	Front + Rear		
Drive system	Hydrostatic		
Frequency	vpm	(Hz)	2520 (42)
Amplitude	in	(mm)	0.022/0.044 (0.56/1.12)
Centrifugal force	lbs	(kN)	8000/16000 (36/72)

#### Capacities

Fuel	gal	(l)	6.3 (24)
------	-----	-----	----------

Technical modifications reserved. Machines may be shown with options.

