



M 250 M x4

EL VEHICULO MULTIUSOS QUE FACILITA TU TRABAJO
THE TOOL-CARRIER THAT MAKES YOUR WORK EASIER
MULTITASK-GERÄTETRÄGER, DAS FAHRZEUG FÜR DEN HARTEN EINSATZ
LE VEHICULE MULTISERVICE QUI FACILITE TON TRAVAIL



www.ausa.com

AUSA Center, S.L.
Ctra. de Vic Km 2.8
08243 Manresa
BARCELONA (ESPAÑA)
Tel.: +34 93 874 73 11
E-mail: ausa@ausa.com
www.ausa.com

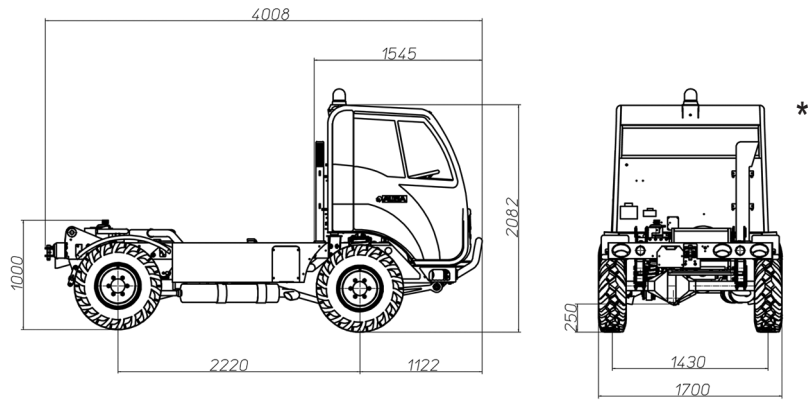
AUSA Madrid Pol. Ind. Coslada - C. Marconi 15-17, 28823 Coslada - MADRID (ESPAÑA) - Tel.: +34 91 669 00 06 - E-mail: ausa.madrid@ausa.com
AUSA France Z.I. Saint Charles - Rue de Zürich, 66000 PERPIGNAN (FRANCE) - Tel.: +33 (0) 4 68 54 38 97 - E-mail: ausa.france@ausa.com
AUSA Deutschland Tel.: +49 (0) 2384 9889905 - E-mail: ausa.deutschland@ausa.com
AUSA UK Tel.: +44 (0) 7970639988 - E-mail: ausa.uk@ausa.com
AUSA Brasil Avenida Belizario Ramos 2276 - Lages - SC, 88506-000 (BRASIL) - Tel.: +55 11 9 8786 6014 - E-mail: ausa.brasil@ausa.com
AUSAMéxico Calzada Vallejo 725 Del. Gustavo A. Madero - 07750 México D.F. (MÉXICO) - Tel.: +52 (55) 2166 9276 - E-mail: ausa.mexico@ausa.com
AUSA U.S. CORP. Tel.: +1 (917) 328 0770 - E-mail: ausa.us@ausa.com
AUSA Beijing Rep. Office Room 403, Moma Building, N.199 - Chaoyang bei road, Chaoyang District - 100026 BEIJING (CHINA)
Tel.: +86 10 8598 7386 - E-mail: ausa.china@ausa.com



M 250 M



www.ausa.com



TECHNICAL SPECIFICATIONS

Load capacity (kg)	2500	Gradient negotiable (with full load)	35%	
Hopper capacities (l)	Levelled	1500	Brakes	
	Heaped	2000		Hydraulic pump. Front wheels with self-ventilated discs and drum discs on rear wheels (with parking brake)
Engine	Make	ISUZU	Steering	
	Type	4LE2		Orbitrol hydraulic steering
	Power acc. (Kw - Cv)	37.5 / 51 (2700 rpm)	Suspension	
	N. of cylinders	4		Front suspension helicoidal spring & hydraulic damper
	Cooling	Liquid		Rear suspension parabolic leaf spring & Hydraulic damper
	Fuel	Diesel		
Fuel capacity (l)	50	Attack	Obstruction angle 32° (without front plate for attachments)	
Transmission	Mechanical, with 5 forward gears and 1 reverse	Weight (Kg) *	Departure angle 62°	
			Unloaded weight 2540	
	Ground speed (Km/h) 40		Gross weight 5190	
Traction	4x4 continuous with central differential, COMPEN system	Gross weight per axle	2350 (front axle), 2900 (rear axle)	
		Hydraulic delivery	Steering pump 18 l/min. Service pump 34 l/min	

STANDARD EQUIPMENT

Closed cabin with heating	Doors with panning visibility	Rotating beacon	Rough-terrain tyres
---------------------------	-------------------------------	-----------------	---------------------

TRANSPORT

Transport box	Standard box. Dimensions of 1.600 x 2.640 x 300 mm (width x length x height)
	Short standard box. Dimensions of 1.850 x 2.200 x 300 mm (width x length x height)
	Loading capacity of 2.500 Kg
Towing capacity	750 Kg without brake ; 1500 Kg with brake
Trilateral	Standard trilateral: Dimensions: 1.700 x 2.600 x 400 mm (width x length x height)
	Short standard trilateral: 1.850 x 2.200 x 400 mm (width x length x height)
	Unloading angles at 3 directions up to 46° and loading capacity of 2500 Kg
Container-holder	Maximum dimensions of the transport loading: 1.220 x 2.400 mm (width x length) and loading capacity of 2.500 Kg (Distance between arms: 1.360 mm)

PACKS



SUPPORT PACK

Palfinger crane with a capacity of 280 Kg. at a height of 8.10 metres.

Optional: Unique homologated crane in the market to be used as elevator-people. Basket with remote control. Able to elevate 1 person and tools (120 Kg) at a working height of 10.7 metres.

MOVEX PLATFORM

Working height: 15m - Load on basket: 200 Kg (2 persons)
 Rotation: 360°
 Stabilizers: 4
 Total weight of MOVEX device: 1615 Kg

