



BOMAG
FAYAT GROUP

Tandem Vibratory Roller

BW900-50



Clear operation and indicator controls with a new ergonomic steering wheel for maximum comfort.



The standard foldable ROPS offers flexibility for transport and storage.

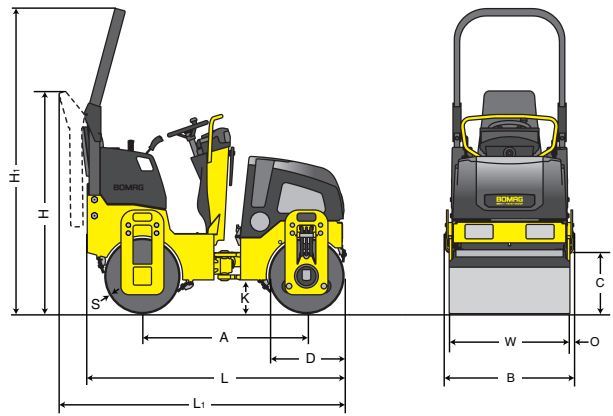


Maintenance free bolt on articulated and oscillating joint.

Technical Specifications

BW900-50

Shipping dimensions
in cubic feet (m³)
BW900-50 with folded ROPS
130.7 (3.7)



Standard Equipment

- Hydrostatic travel and vibration drives
- Front Drum Vibration
- Series hydrostatic travel drive
- Foldable ROPS
- Bolt-on oscillating / articulation joint
- Hydrostatic articulated steering
- Mechanical parking brake
- Vibration control in travel lever
- 2 scrapers per drum
- Plastic water tank
- Pressurized sprinkler system
- Hour meter
- Low fuel level indicator
- Control and warning indicator lights
- Automatic engine shutdown at low oil level
- Lockable vandal protected instrument panel,
engine hood and fuel compartment
- Front, center and rear transport lift points
- Emergency stop button
- Corrosion and weather protected ignition switch
- Retractable seat belt
- Back-up alarm

Optional Equipment

- Working Lights front and rear

Dimensions in inches (mm)

	A	B	C	D	H	H ₁	K	L	L ₁	O	S	W
BW900-50	48	37.8	17.7	22.0	68	90.2	9.8	77.4	87.7	1.2	0.31	35.4
	(1223)	(961)	(450)	(560)	(1727)	(2290)	(250)	(1967)	(2227)	(31)	(8)	(900)

Technical data

Weights

Operating Weight	lbs (kg)	2639 (1197)
Average axle load.....	lbs (kg)	1320 (599)
Average static linear load CECE.....	pli (kg/cm)	37.3 (6.7)

Driving Characteristics (depending on site conditions)

Speed (with vibration).....	mph (kmph)	0-2.5 (0-4.0)
Speed (for transport).....	mph (kmph)	0-5.4 (0-8.7)
Max. gradeability without/with vibration	%	40/30

Drive

Engine manufacturer.....	Honda	
Type.....	GX630	
Cooling - cylinders	air	
Number of cylinders	2	
Performance SAE J 1349	hp (kW)	20 (14.9)
Speed	rpm (min-1)	3300
Electric Equipment	V	12
Drive System.....	hydrostatic	
Drum Driven.....	front + rear (Series)	

Brakes

Service brake	hydrostatic
Parking brake.....	mechanical

Steering

Steering system.....	oscillating, articulating	
Steering method.....	hydrostatic	
Track Radius, inner	in (mm)	64.8(1647)
Steering angle ±.....	degrees	33
Oscillating angle ±	degrees	6

Vibratory system

Vibrating drum	front	
Drive system	hydrostatic	
Frequency	vpm (Hz)	4200 (70)
Amplitude.....	in (mm)	0.020 (0.5)
Centrifugal force (front drum)	lbs (kN)	3395 (15.1)

Water Spray System

Type of water spray system	pressurized
----------------------------------	-------------

Capacities

Fuel.....	gal (l)	7 (27)
Water	gal (l)	36 (137)

Technical modifications reserved. Machines may be shown with options.

B693H-3760 3M0414TTPPG