

# VMT860 Vibratory Tandem Roller

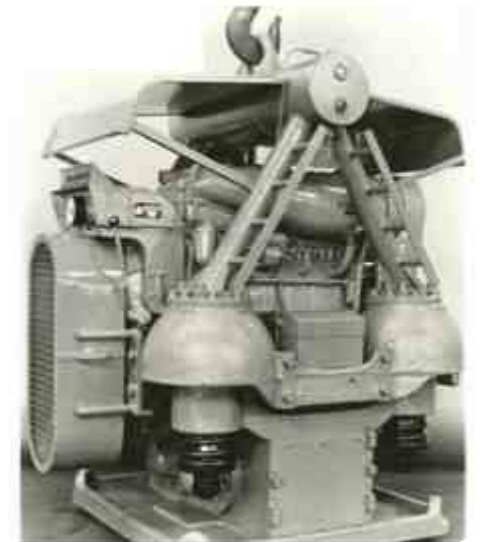


Performance to the Max



## The Legacy of 'Inventor' of Vibratory Technology in Compaction

1927 : Invention of the legendary Vibratory Plate Compactor AT 5000



Losenhausen, inventor of the legendary Vibratory Plate 8500

# VMT860 - Vibratory Tandem Roller

**JCB ENGINE**  
ecoMAX

**16** Valves Effort | **BIG** on Fuel Saving



BS III  
Compliant

**JCB VMT860**  
eco



# VMT860 - Unmatched Benefits

## Tandem Roller VMT 860

JCB introduces a new world class 9 T Tandem Roller VMT 860. Recently launched globally, the contemporary designed roller is now available in India, fully tropicalised and tested to outperform competition.



### Engine

- State-of-the-art JCB engine
- Robust
- Fuel Efficient
- Inhouse JCB Service Support



### Zero Maintenance Roller

- Maintenance-free, lifetime lubricated central joint
- Auto Dust Removal System for Air Cleaner



### Unmatched Operator Comfort

- 2 Rotating Operator Seats
- Tilttable steering
- Hydraulic based Anti-vibration Pads
- Ergonomically located controls with joystick

# VMT860 - Unmatched Benefits



## Built in 'Q'

- Latest hydraulics from Germany
- Single piece solid steel eccentric shaft
- Solid Steel with fibre glass canopy
- Fibre glass hood with heat & sound insulation



## Ease of Operation

- High visibility- front & rear
- Efficient Pressurized Water Sprinkler System
- 2 water pumps with independent circuits (each pump capable of sprinkling adequate water on both the drum surfaces)
- Standard lift pump for filling tanks
- High volume, contoured water tanks (largest in Industry)
- Easy to maintain sprinkler nozzles with independent filters



- Automatic Water Sprinkler System ensures optimal discharge of water.
- Spring loaded vulcollan scraper
- High volume Fuel tank - 240lts. (Largest in industry)



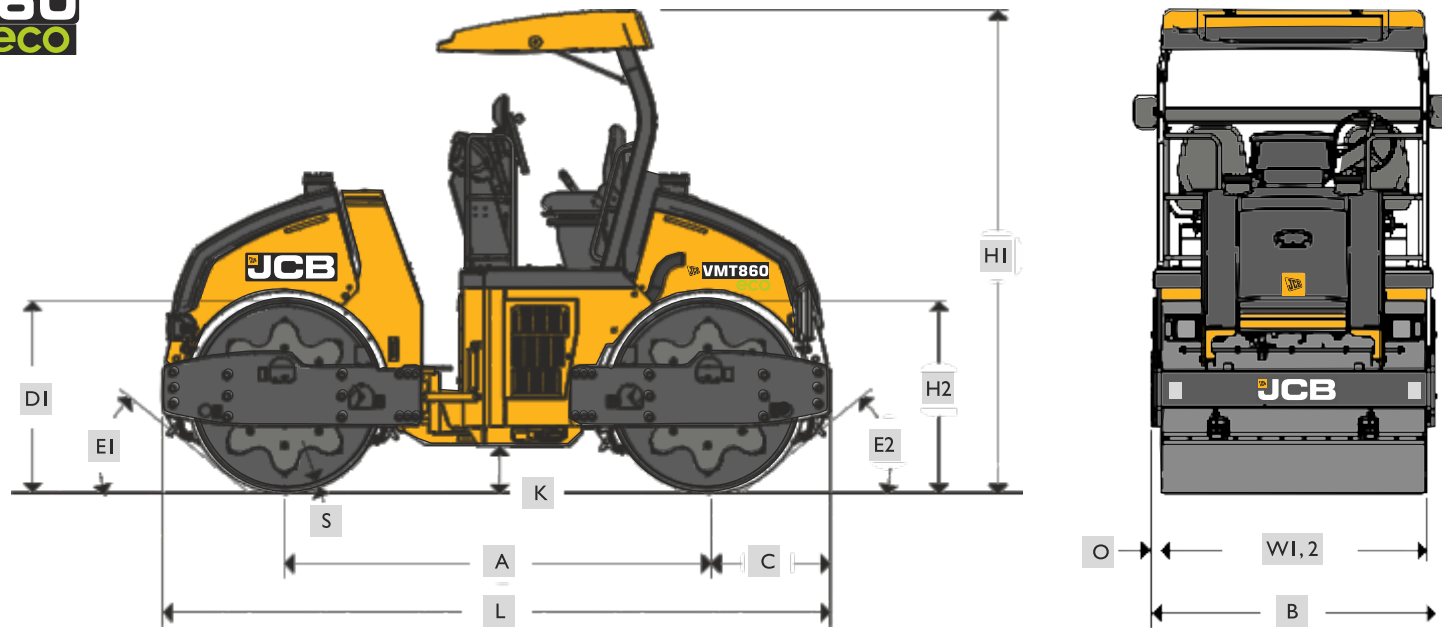
## Compaction Parameters

- 8.75 operating weight
- Dual Amplitude & Dual Frequency
- High Centrifugal Force

**JCB** VMT860  
eco



# VMT860 - Specifications



## STATIC DIMENSIONS

Dimensions in millimeters		
A	Wheel base	2690 mm
B	Overall width	1850 mm
C	Axle to rear face	770 mm
DI=D2	Drum Diameter	1220 mm
E1	Front departure angle	42°
E2	Rear departure angle	42°
H1	Total travel clearance with canopy	3070 mm
H2	Height to top of seat	2225 mm
K	Ground clearance	300 mm
L	Total travel length	4230 mm
O	Overhang	85 mm
S	Drum thickness	17 mm
W1=W2	Drum width	1675 mm

## OPERATING DATA

Operating weight (CECE)	Kg	8750	
Operating axle load front / rear	kg	4080 / 4670	
Operating linear load front / rear	kg /cm	24.4 / 27.9	
Vibration stage		I	2
Exciter frequency	Hz (vpm)	33 (2000)	50 (3000)
Nominal amplitude	mm	1.1	0.23
Centrifugal force per drum	kN	71	37
Compaction depth upto	cm	70	
Working width	mm	1675	
Working speed (forward/reverse) max.	Km/h	5.5	
Travel speed (forward/reverse) max.	Km/h	11.5	
Steering lock angle	degrees	±24.5	
Vertical oscillation	degrees	±10	
Turning radius (Inner/outer )	m	5.2 / 7.1	
Gradeability up to	DEGREES(%)	22 (40)	

JCB reserves the right to change specifications without notice. Illustrations shown may include optional equipment and accessories. The JCB logo is a registered trademark of J C Bamford Excavators Ltd.

# VMT860 - Specifications

## ENGINE

Four-cylinder, liquid-cooled, four-stroke diesel engine, naturally aspirated		
Make	JCB <b>ecomax</b>	
Model	Dieselmax (BS III confirm to CMVR norms)	
Piston Displacement	cm <sup>3</sup> (in <sup>3</sup> )	4765 (291)
Performance-DIN 6271	kW(hp)	56 (76)
Operating Speed	min <sup>-1</sup> (rpm)	2200 (2200)
Starting Device	Electric Motor	
Air Cleaner	Dry cartridge plus Safety Cartridge	
Fuel Filter	Cartridge	

## PROPULSION

Hydrostatic with variable displacement pump and fixed displacement motors with direct drive to both drums-double drum drive.

## EXCITER DRIVE

Electrically controlled hydrostatic direct drive on both drums for double vibration or single vibration front or rear.

## EXCITER

Single-Shaft circular exciter with over turning weights.

## STEERING SYSTEM

Servo - assisted maintenance free centre articulation with oscillation facility.

- **Operator seat** :Two adjustable seats can rotate at clock & anti clock wise.
- **Roof** : Canopy with structure to protect operator from rain & sunlight.
- **Lift pump** : Pump for water refilling of front and rear tank.

## SERVICE CAPACITIES

Fuel	litres	240
Hydraulic Oil	litres	85
Sprinkler water, front / rear	litres	535 / 535

## BRAKING SYSTEM

Service brake	:	Hydrostatic Propulsion System.
Parking brake	:	Hydraulically Released brake on both drums (SAHR).

## ELECTRICAL SYSTEM

Voltage	V	12
Battery capacity	Ah	130
Alternator (Current carrying capacity)	A	max 95

## INDICATORS AND GAUGES

Fuel, Battery Charging Current, Sprinkler System, Parking Break, Hour Meter, Engine Oil Pressure, Water in Fuel, Air Filter Condition, Hydraulic Oil level and Temperature, Hydraulic Oil Filter Condition, Water Level Indicator, Engine Temperature, Drive Lever Neutral Position & Engine RPM.

## STANDARD EQUIPMENT

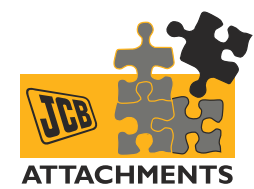
Vibration isolated, spacious, ergonomic and comfortable driver stand with two seats, one central drive lever and swivelling steering wheel, sunroof, road lights, work lights, backup alarm & vandalism kit.

## OPTIONAL EQUIPMENT

- ROPS (Standard at CE)
- Cab with ROPS, FOPS
- Edge cutter

JCB reserves the right to change specifications without notice. Illustrations shown may include optional equipment and accessories. The JCB logo is a registered trademark of J C Bamford Excavators Ltd.

# India's best & largest dealer network



Dealer :



India's Largest Manufacturer of Construction Equipment