



W 200 H

**EQUIPO HIDROLIMPIADOR DE ALTAS PRESTACIONES PARA LIMPIEZA URBANA
HIGH PERFORMANCE WATERCLEANER EQUIPEMENT FOR URBAN CLEANING
HOCHLEISTUNGS-AUSSTATTUNG WASSERREINIGUNG FÜR DIE KOMMUNALREINIGUNG
LAVEUSE DE VOIRIE A HAUT RENDEMENT**



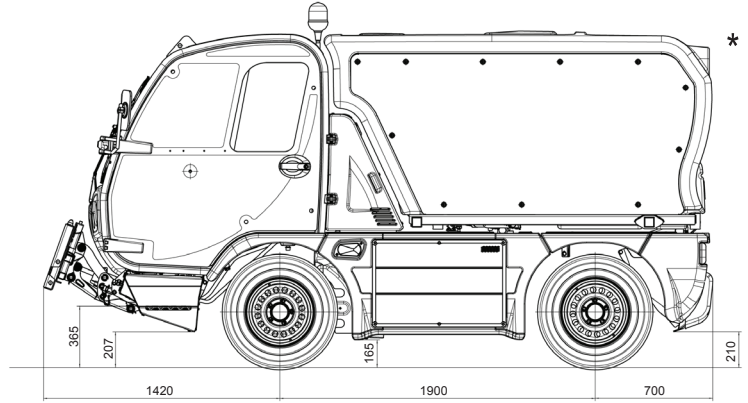
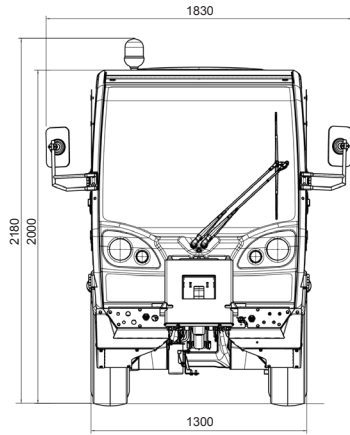
AUSA Center, S.L.
Ctra. de Vic Km 2.8
08243 Manresa
BARCELONA (ESPAÑA)
Tel.: +34 93 874 73 11
E-mail: ausa@ausa.com
www.ausa.com

AUSA Madrid Pol. Ind. Coslada - C. Marconi 15-17, 28823 Coslada - MADRID (ESPAÑA) - Tel.: +34 91 669 00 06 - E-mail: ausa.madrid@ausa.com
AUSA France Z.I. Saint Charles - Rue de Zürich, 66000 PERPIGNAN (FRANCE) - Tel: +33 (0) 4 68 54 38 97 - E-mail: ausa.france@ausa.com
AUSA Deutschland Tel.: +49 (0) 2384 9889905 - E-mail: ausa.deutschland@ausa.com
AUSA UK Tel.: +44 (0) 7970639988 - E-mail: ausa.uk@ausa.com
AUSA Brasil Avenida Belizario Ramos 2276 - Lages - SC, 88506-000 (BRASIL) - Tel.: +55 11 9 8786 6014 - E-mail: ausa.brasil@ausa.com
AUSAMéxico Calzada Vallejo 725 Del. Gustavo A. Madero - 07750 México D.F. (MÉXICO) - Tel.: +52 (55) 2166 9276 - E-mail: ausa.mexico@ausa.com
AUSA U.S. CORP. Tel.: +1 (917) 328 0770 - E-mail: ausa.us@ausa.com
AUSA Beijing Rep. Office Room 403, Moma Building, N.199 - Chaoyang bei road, Chaoyang District - 100026 BEIJING (CHINA)
Tel.: +86 10 8598 7386 - E-mail: ausa.china@ausa.com





AUSA
www.ausa.com



TECHNICAL SPECIFICATIONS	W 200 H		
	4x2x2	4x2x4	4x4x4
Drive-line configuration	2 wheel steering and 2 wheel drive	4 wheel steering and 2 wheel drive	4 wheel steering and 4 wheel drive
Spraying flushing system	2000 l		
Tank water capacity	2000 l		
Material	HDPE Rotomoulding		
High pressure pump	85 litre/minute at 60 bar		
Flushing bar	3 independent stretching bars (from 1'3 m to 2,5 m wide) plus side-flushing jets		
Weight	Unloaded weight * 2110 - 2455		
Engine	Make VOLKSWAGEN		
Type	2.0 TDI		
Emissions	Euro 5		
Power (Kw - CV)	75 -102 (3000 rpm)		
N. Of Cylinders	4		
Cooling system	Liquid with variable speed fan and auto cleaning system		
Fuel	Diesel		
Tank capacity	60 l		
Transmission	Hydrostatic Rexroth with 2 wheel radial motors on rear axle		Permanent 4WD and 4 wheel steering flow track
Type	Hydrostatic Rexroth with 2 wheel radial motors on rear axle		
Max speed	40 km/h		
Max working speed	25 km/h		
Gradient negotiable	27% at full load (30% at 4500 Kg)		37% at full load
Brakes	Service Servo assisted brake, disk brake on front wheels and drum brakes on rear wheels		Servo assisted brake. Drum brakes on four wheels
Parking	Negative parking brake, hydraulically released		
Steering	Type Orbitrol hydraulic steering		
Modes	Front	Front / Front + Rear	Front / Front + Rear
External turning radius	3623 mm	2762 mm	2762 mm
Suspension	Front	Hydraulic damper & helicoidal spring	
Rear	Hydraulic damper, helicoidal spring & anti roll bar		
Wheels	Front / Rear	225 / 70 R15	
Auxiliary hydraulic circuit	Hydraulic Pump	Triple gear pump - 22cc - 16cc - 11cc	
Front Quick Couplings	3 quick-attach and independent hydraulic couplings (5 l/min) and 1 quick-attach hydraulic coupling (50 l/min)		
Rear Quick Couplings	1 quick-attach and independent hydraulic couplings (5 l/min) - 1 quick-attach and independent hydraulic couplings (20 l/min) - 1 quick-attach and independent hydraulic couplings (50 l/min)		
STANDARD EQUIPEMENT	Front plate tool-carrier Link® System Driver position on the left side of the vehicle Driver seat with mechanical suspension Passenger seat Steering wheel with regulation on height and depth High capacity heater Electronic control for the speed of the engine Electronic control for the travel speed Radio pre installation Quick coupling Link® system AUSA fuel saving system (A.F.S.) in long distance travel at high speed		
OPTIONAL EQUIPEMENT	Front plate tool-carrier Link® System - For AUSA attachments coupling bracket Front plate tool-carrier Link® System - Triangular coupling bracket Driver position on the right side of the vehicle Driving seat with neumatic suspension Electrically and adjustable rear mirrors with heater. Working LED lights on the top of the cabin Automatic grease system Air conditioning Radio-CD & MP3 + Bluetooth Towing hitch (50 mm ball & 13 pins) with electric socket Towing capacity 750 kg without brake; 3.500 kg with brake Extensible legs for attachments disassembly Camera rear vision with display in cabin		