

SINGLE DIRECTION VIBRATORY PLATES BP 20/50 D, BP 25/50 D

PERFORMANCE DATA



Machine type	Compaction output (m ³ /h) at recommended soil layer thicknesses		
	Gravel, sand	Mixed soil	Silt, clay
BP 20/50 D	13-23	13-20	-
BP 25/50 D	15-24	14-21	8-12

Machine type	Compaction output (t/h) at different asphalt layer thicknesses		
	2-4 cm	6-8 cm	10-14 cm
BP 20/50 D	5-10	11-15	-
BP 25/50 D	7-14	12-18	23-28

Technical Data

Shipping dimensions in m3

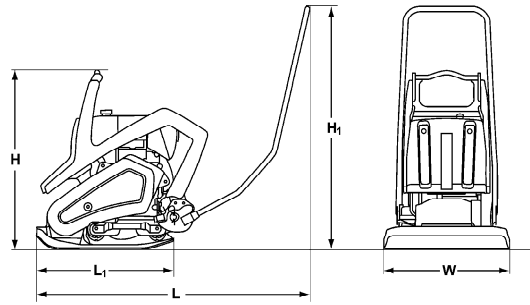
BP 20/50 D	0,245
BP 25/50 D	0,245

Standard

- Vibration insulated steering bow, foldable
- Detachable steering handle
- Highly wear resistant base plate
- Fully automatic decompression
- Recoil starter
- Engine protection frame
- Single point lifting device
- Fully protected V-belt
- Carrying handles
- Protective covering

Options

- Sprinkler system
- Transport wheels
- Plastic mat
- Special painting
- Service Kit



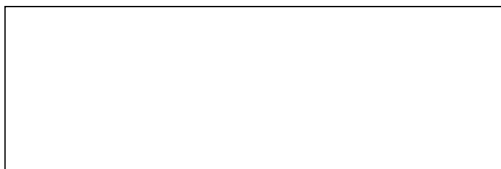
Dimensions in mm

	H	H1	L	L1	W
BP 20/50 D	708	962	1084	542	500
BP 25/50 D	708	962	1084	542	500

Technical Data

		BOMAG BP 20/50 D	BOMAG BP 25/50 D
Weights			
Operating weight CECE	kg	109	122
Basic weight	kg	108	121
Dimensions			
Working width	mm	500	500
Driving Characteristics			
Working speed, max.	m/min	28	28
Max. gradeability (depending on soil conditions)	%	30	30
Drive			
Engine manufacturer		Hatz	Hatz
Type		1B20	1B20
Cooling		air	air
Number of cylinders		1	1
Performance ISO 9249	kW	3,1	3,1
Speed	min ⁻¹	3.000	3.000
Drive system		mech.	mech.
Fuel		diesel	diesel
Exciter system			
Frequency	Hz	90	92
Centrifugal force	kN	20	25
Capacities			
Fuel	l	3	3
Water	l	13,5	13,5

Technical modifications reserved. Machines may be shown with options.



BOMAG
Hellerwald
D-56154 Boppard
P.O. Box 5162
Tel. (0)6742 - 1000
Fax (0)6742 - 3090
Fax (0)6742 - 3090

BOMAG
FAYAT GROUP