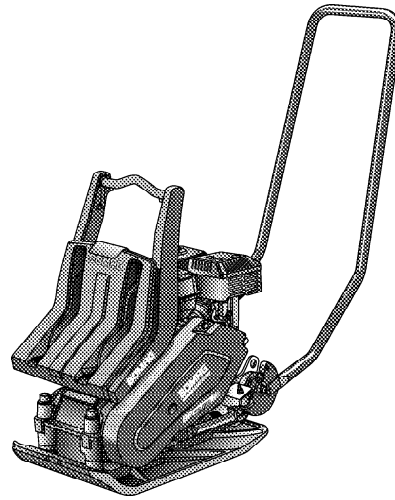


SINGLE DIRECTION VIBRATORY PLATES BP 10/35, BP 12/40

PERFORMANCE DATA



| Machine type | Compaction output (m ³ /h) at recommended soil layer thicknesses | | |
|--------------|---|------------|------------|
| | Gravel, sand | Mixed soil | Silt, clay |
| BP 10/35 | 10-15 | 10-15 | |
| BP 12/40 | 11-16 | 11-16 | |

| Machine type | Compaction output (t/h) at different asphalt layer thicknesses | | |
|--------------|--|--------|----------|
| | 2-4 cm | 6-8 cm | 10-14 cm |
| BP 10/35 | 3-7 | 9-12 | |
| BP 12/40 | 3-7 | 9-12 | |

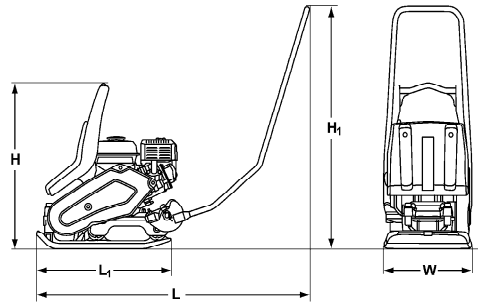
Technical Data

Shipping dimensions in m3

| | |
|-----------------|-------|
| BP 10/35 | 0,136 |
| BP 12/40 | 0,167 |

Standard

- Vibration insulated steering bow, foldable
- Detachable steering handle
- Highly wear resistant base plate
- Automatic shutdown at low oil level
- Recoil starter
- Fully protected V-belt
- Carrying handles
- Single point lifting device
- Protective covering



Dimensions in mm

| | H | H1 | L | L1 | W |
|-----------------|-----|-----|------|-----|-----|
| BP 10/35 | 658 | 962 | 1084 | 532 | 350 |
| BP 12/40 | 658 | 962 | 1084 | 542 | 400 |

Options

- Sprinkler system
- Transport wheels
- Plastic mat
- Tool kit
- Special painting
- Service Kit
- Engine protection frame (BP12/40)

Technical Data

Weights

| | | | |
|-----------------------------|----|----|----|
| Operating weight CECE | kg | 65 | 72 |
| Basic weight | kg | 64 | 71 |

Dimensions

| | | | |
|---------------------|----|-----|-----|
| Working width | mm | 350 | 400 |
|---------------------|----|-----|-----|

Driving Characteristics

| | | | |
|--|-------|----|----|
| Working speed, max. | m/min | 25 | 25 |
| Max. gradeability (depending on soil conditions) | % | 30 | 30 |

Drive

| | | |
|----------------------------|----------|----------|
| Engine manufacturer | Honda | Honda |
| Type | GX 120 | GX 120 |
| Cooling | air | air |
| Number of cylinders | 1 | 1 |
| Performance ISO 9249 | kW | 2,6 |
| Speed | min-1 | 3.600 |
| Drive system | mech. | mech. |
| Fuel | gasoline | gasoline |

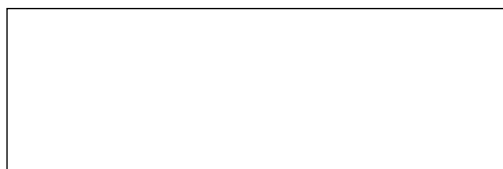
Exciter system

| | | | |
|-------------------------|----|----|----|
| Frequency | Hz | 90 | 90 |
| Centrifugal force | kN | 10 | 12 |

Capacities

| | | | |
|-------------|---|------|------|
| Fuel | l | 2 | 2 |
| Water | l | 13,5 | 13,5 |

Technical modifications reserved. Machines may be shown with options.



BOMAG
 Hellerwald
 D-56154 Boppard
 P.O. Box 5162
 Tel. (0)6742 - 1000
 Fax (0)6742 - 3090
 Fax (0)6742 - 3090

BOMAG
FAYAT GROUP