



EXV/EGV Technical Data.

High lift pallet truck.

EXV 10 Basic

EXV 10

EXV 12

EXV 12 i

EGV 14

EGV 16

EGV 20

EGV-S



In accordance with VDI guidelines 2198 resp. 3597, this specification applies to the standard model only. Alternative tyres, mast types, ancillary equipment, etc. could result in different values.

Characteristics			STILL	STILL	STILL			STILL				
			EXV 10 Basic	EXV 10	EXV 12			EXV 12 i				
				Single	Tele	HiLo	Tele	HiLo	Triplex	Tele	HiLo	Triplex
1.1	Manufacturer											
1.2	Manufacturer's model designation											
1.3	Drive: (electric, diesel, petrol, LPG, mains electric)				Electric	Electric	Electric	Electric	Electric	Electric	Electric	Electric
1.4	Operation (Hand, pedestrian, stand-on, sit-on, order picker)				Pedestrian	Pedestrian	Pedestrian	Pedestrian	Pedestrian	Pedestrian	Pedestrian	Pedestrian
1.5	Capacity/load	Q	kg	1000	1000	1000	1200	1200	1200	1200	1200	1200
1.6	Load centre	c	mm	600	600	600	600	600	600	600	600	600
1.8	Load distance	x	mm	711	695	695	695	638	780	780	723	723
1.9	Wheel base	y	mm	1157	1157	1157	1157	1157	1362	1362	1362	1362
2.1	Truck weight (inc. battery)		kg	708	788	788	788	935	909	909	1056	1056
2.2	Axle load laden	drive end/load end	kg	670/1038	695/1093	695/1093	720/1268	770/1365	759/1350	759/1350	814/1442	814/1442
2.3	Axle load unladen	drive end/load end	kg	518/190	572/216	572/216	572/216	651/284	643/266	643/266	710/346	710/346
3.1	Tyres			Solid rubber	Polyurethane	Polyurethane	Polyurethane	Polyurethane	Polyurethane	Polyurethane	Polyurethane	Polyurethane
3.2	Tyre size	drive end	mm	ø 230x75	ø 230x75	ø 230x75	ø 230x75	ø 230x75	ø 230x75	ø 230x75	ø 230x75	ø 230x75
3.3	Tyre size	load end	mm	1x ø 85x100	1x ø 85x100	1x ø 85x100	1x ø 85x100	1x ø 85x100	1x ø 85x80	1x ø 85x80	1x ø 85x80	1x ø 85x80
3.4	Support castor size		mm	ø 140x54	ø 140x54	ø 140x54	ø 140x54	ø 140x54	ø 140x54	ø 140x54	ø 140x54	ø 140x54
3.5	Number of wheels (x=driven)	drive end/load end		1x-1/2	1x-1/2	1x-1/2	1x-1/2	1x-1/2	1x-1/2	1x-1/2	1x-1/2	1x-1/2
3.6	Track width	drive end	b ₁₀	mm	518	518	518	518	518	518	518	518
3.7	Track width	load end	b ₁₁	mm	380	380	380	380	380	380	380	380
4.2	Height, mast lowered		h ₁	mm	See mast table	See mast table	See mast table	See mast table	See mast table	See mast table	See mast table	See mast table
4.3	Free lift		h ₂	mm	See mast table	See mast table	See mast table	See mast table	See mast table	See mast table	See mast table	See mast table
4.4	Lift height		h ₃	mm	See mast table	See mast table	See mast table	See mast table	See mast table	See mast table	See mast table	See mast table
4.5	Height, mast raised		h ₄	mm	See mast table	See mast table	See mast table	See mast table	See mast table	See mast table	See mast table	See mast table
4.6	Basic lift		h ₅	mm	-	-	-	-	-	130	-	-
4.9	Height - tiller in drive position	min./max.	h ₁₄	mm	740/1230	740/1230	740/1230	740/1230	740/1230	740/1230	740/1230	740/1230
4.15	Fork height lowered		h ₁₃	mm	85	85	85	85	86	86	86	86
4.19	Overall length unladen		l ₁	mm	1772	1788	1788	1845	1902	1902	1959	1959
4.20	Length inc. fork backs		l ₂	mm	622	638	638	695	752	752	809	809
4.21	Overall width		b ₁	mm	800	800	800	800	800	800	800	800
4.22	Fork dimensions	s/e/l	mm	65/180/1150	65/180/1150	65/180/1150	65/180/1150	65/180/1150	65/180/1150	65/180/1150	65/180/1150	65/180/1150
4.24	Fork carriage width		b ₃	mm	534	534	534	710	534	534	710	710
4.25	Overall fork width		b ₅	mm	560	560	560	560	560	560	560	560
4.32	Floor clearance, centre of wheel-base		m ₂	mm	30	30	30	30	30	30	30	30
4.34	Working aisle width for 800x1200 pallet lengthways Turning radius (b ₁₂ x l ₆)		A _{st}	mm	2125	2125	2125	2182	2249 (2248) ¹	2249 (2248) ¹	2306 (2305) ¹	2306 (2305) ¹
4.35	Turning radius		W _a	mm	1420	1420	1420	1420	1420	1629 (1515) ¹	1629 (1515) ¹	1629 (1515) ¹
5.1	Travel speed	laden/unladen	km/h	6,0/6,0	6,0/6,0	6,0/6,0	6,0/6,0	6,0/6,0	6,0/6,0	6,0/6,0	6,0/6,0	6,0/6,0
5.2	Hoist speed	laden/unladen	s	0,12/0,16	0,11/0,23	0,11/0,2	0,15/0,3	0,15/0,26	0,15/0,3	0,15/0,3	0,15/0,26	0,15/0,26
5.3	Lowering speed	laden/unladen	s	0,23/0,23	0,3/0,28	0,31/0,25	0,4/0,3	0,29/0,31	0,4/0,3	0,4/0,3	0,29/0,31	0,29/0,31
5.8	Max. gradeability kB 5	laden/unladen	%	5/10	5/10	5/10	5/10	5/10	5/10	5/10	7/15	7/15
5.9	Acceleration time (over 10 m)	laden/unladen	s	8/7	8/7	8/7	8,3/7	8,3/7	8,3/7	8,3/7	8,4/7,5	8,4/7,5
5.10	Service brake			electromagnetic	electromagnetic	electromagnetic	electromagnetic	electromagnetic	electromagnetic	electromagnetic	electromagnetic	electromagnetic
6.1	Drive motor, Rating S2 = 60 min		kW	1,2	1,2	1,2	1,2	1,2	1,2	1,2	1,2	1,2
6.2	Hoist motor, Rating at S3 = 15%		kW	2,2/5%	1,5/7%	1,5/7%	3,2/10%	3,2/10%	3,2/10%	3,2/10%	3,2/10%	3,2/10%
6.3	Battery to DIN 43531/35/36; A, B, C, No			No	No	No	No	No	No	No	No	No
6.4	Battery voltage, Rated capacity C ₅		V/Ah	24V/180Ah	24V/180Ah	24V/180Ah	24V/180Ah	24V/180Ah	24V/180Ah	24V/180Ah	24V/225Ah	24V/225Ah
6.5	Battery weight ± 5% (depends on make)		kg	195	195	195	195	195	195	195	200	200
6.6	Energy consumption to VDI cycle		kWh/h	0,72	0,75	0,75	1	1	1	1	1	1
8.1	Drive control			AC control	AC control	AC control	AC control	AC control	AC control	AC control	AC control	AC control
8.4	Sound level at driver's ear		dB (A)	65	65	65	65	65	65	65	65	65

¹ Suffix in model type = Initial lift incorporated

Mast Types

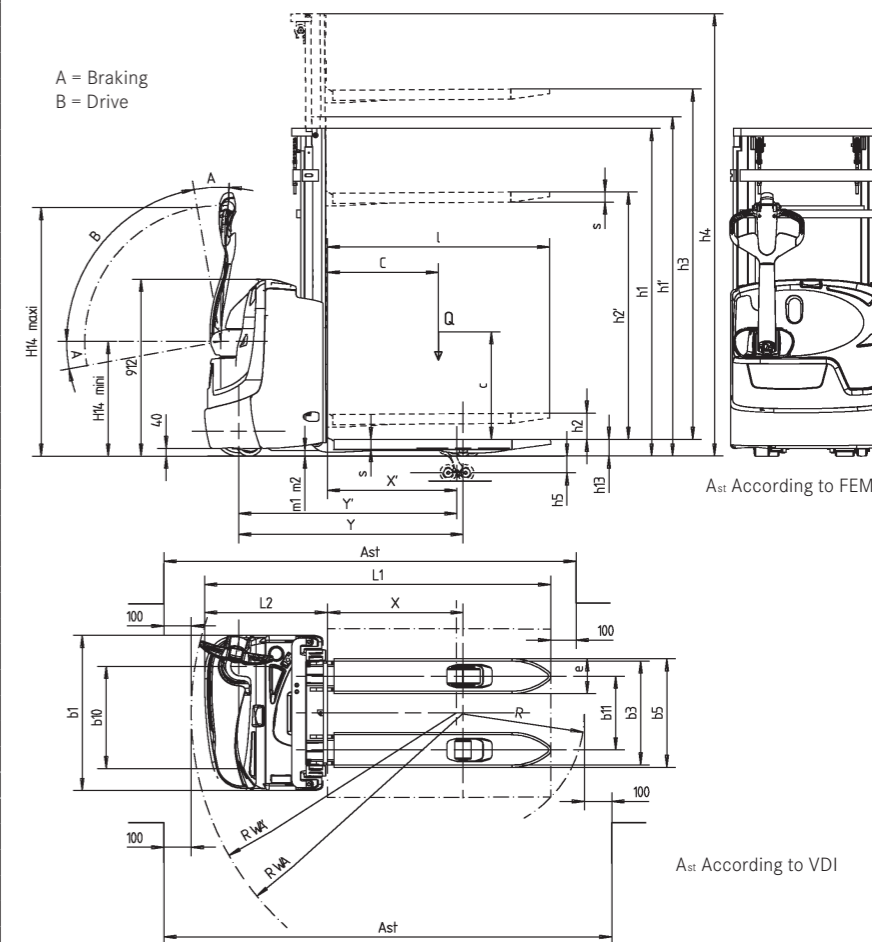
	SX/Single				DX/Tele				DXLLT/HiLo				TX/Triplex			
	EXV 10 Basic				EXV 10 - EXV 12 - EXV 12 i				EXV 10 - EXV 12 - EXV 12 i				EXV 12 - EXV 12 i			
h ₁	1940	2390	1490	1690	1940	2140	2390	2590	1490	1690	1940	2140	2390	2590	1690	1940
h ₂	-	-	1565	1765	2015	2215	2465	2665	-	-	-	-	-	-	-	-
h ₃	1462	1912	150	150	150	150	150	150	-	-	-	-	-	-	-	-
h ₄	-	-	-	-	-	-	-	-	1012	1212	1462	1662	1912	2112	1212	1462
h ₅	1462	1912	2024	2424	2924	3324	3824	4224	2024	2424	2924	3324	3824	4224	3636	4386
h ₆	-	-	2502	2902	3402	3802	4302	4702	2502	2902	3402	3802	4302	4702	4118	4868

h₁ Initial lift = h₁ (Standard) + 6 mm

600	500	400	
575	625	700	4309
650	725	800	3909
780	860	980	3409
930	1060	1200	3009
1200	1200	1200	2530

50024390062

Load carrying vs. lift height relationship shown by colour code on the mast (Option).



Tough - everywhere.

STILL's EXV range comes in an all-new, up-to-the-minute yet functional design that's even easier to use and more manoeuvrable, with higher load carrying capacity and longer work cycles for each battery charge. The EXV models have increased strength in the areas prone to impact damage and the extremely durable cover is manufactured from high-strength, shock adsorption material and offers excellent accessibility for servicing and maintenance.

A powerful high lift pallet stacker with minimum operating costs, it provides the right solution for industrial, service, wholesale and general trade applications.

The EXV is offered in two load classes - light, of 1 t or 1.2 t where pallet turnover is low to moderate, and heavy, of 1.4 and 1.6 t, for high pallet turnover.

Maximum reliability.

STILL's entire EXV range is characterised by:

- Damped lowering on all lifting unit systems to protect the load.
- Extremely robust fork tips with a round-tipped wedge shape for better pallet insertion.
- Wider track provides greater load-bearing and stability.
- The variable drive controller (a proven MOSFET microprocessor controlled electronic power pack) offers speeds from rapid travel through to very sensitive movement for delicate loads.
- Automatic braking on drive switch release. With special preparation the EXV is fully ready for work in cold stores - and the resulting temperature changes - to as low as -30 °C.

Made to work.

- Placing the load's centre of gravity between the drive and the running wheels achieves high carrying capacity without a counterweight.
- The smallest working aisle widths on the market, thanks to compact construction, guarantees good manoeuvrability.
- The wide clear-view lifting mast and offset tiller offer the best visibility for both load transportation and stacking.
- Rocker mounting of the tandem rollers further increases driving comfort and facilitates movement over rough ground and thresholds. Ground clearance can be increased to 130 mm using the initial lift

EXV 10/12/12 i Technical Data.

The initial lift function of the EXV 12 i makes it suitable for use on uneven ground conditions or on ramps.

Design.

- The modern, functional design and the optimal ergonomics of the tiller make this truck a great all-rounder for a multiplicity of applications.
- Various storage compartments are incorporated in the new, extremely strong polyurethane cover.

Steering.

- Smooth manoeuvring achievable in the tightest of spaces.
- A gas-spring strut quickly and smoothly brings the user friendly tiller to the vertical brake position after releasing.
- With an offset drive and castor wheel, the high lift pallet stacker is a safe and stable 4-wheel truck.

Tiller.

- Ergonomic layout of the controls means the EXV 12 i is suitable for both right and left handed operators. The push buttons for lifting/lowering and horn are within fingertip reach and allow single handed operation without changing grip. This feature greatly reduces operator fatigue.
- The large buttons have grooves and raised contours to provide a problem free, tactile "Feel the function" response - even when working with gloves.
- The arrangement of the electronic controls permits the simultaneous use of the control elements and functions, e.g. Lifting and driving.
- Safety for the hands when on the tiller is achieved by the wrap-around protection and the curved shape of the handle.
- The control elements in the tiller are protected to IP 65 and all connectors and wiring harnesses are protected to IP 54; they are therefore well protected against environmental influences such as rain or dust.
- Extremely robust tiller head is achieved by the use of glass-fibre reinforced Polyurethane and a cast aluminium tiller arm.

Drive.

- Maintenance and wear-free, the totally enclosed 1.2 kW three-phase alternating current (AC) drive offers high performance to the user for in-plant handling and transportation tasks. The modern AC drive controller provides improved traction control for the user, e.g. noticeably powerful acceleration and drive. The drive characteristics can be easily programmed by STILL Service to suit the user's specific requirements.
- A speed sensor, which is connected to the control unit, provides gentle, progressive acceleration of the EXV 12 i up to maximum speed, independent of the load on the forks.
- Braking is activated in the driving mode by releasing the driving switch. The AC motor acts as a generator and recovers energy during deceleration.
- With the 'Hold on Ramp' feature, when the drive switch is released, the controller monitors truck movement and prevents uncontrolled roll-back by applying the motor brake.

Mast.

- STILL offers the 1.2 t capacity truck with Tele and full free-lift masts. In addition, the EXV 12 and the EXV 12i can now be fitted with a triple mast allowing configuration to be perfectly matched to the application.
- The newly designed masts and fork carriage are characterised by their extreme rigidity and robustness. Deeper profiles on the external mast (108 mm), the visibly increased width of the mast as well as the strengthened connection of the forks to the fork carriage, minimise the possible deflection of the forks and mast when loaded.

* Not EXV 10 basic

Hydraulic System.

- The newly developed pulse control responds sensitively to the lightest touch on the control button to give precise load positioning.
- Electronic control of the hydraulic pump motor gives stepless and proportional response.*
- An enclosed motor drives a high pressure gear pump.
- Responsive, light-touch buttons control lifting and lowering speeds.
- Maximum pressure relief valve, lowering valve and line break safety devices protect the hydraulic system.

Braking System.

- The truck features two independent brake systems:
- Soft braking with energy recovery is activated by releasing the butterfly drive control switch or selecting the opposite direction.
 - The dust-protected electromagnetic disk brake acts as a safety and parking brake. Braking takes place automatically when the tiller is positioned horizontally or vertically (dead-man brake).

Battery.

- The EXV 12 i can be optionally equipped with an integral battery charger.
- The drive control technology and the low energy requirement resulting from it enable the use of smaller capacity batteries while still providing longer hours of use.
- The battery is easily accessible and can be changed by means of a hoist.
- The EXV 12 i is equipped with a new battery compartment which enables the use of batteries from 165 to 225 AH capacity.

Initial lift (optional).

- Increases the ground clearance to 155 mm (130 mm lift) making it possible to drive over uneven floors and changes of gradient.
- Allows the machine to be used as a pallet truck with pallets up to 1200 kg.

Options.

- Fork length: Length/Width = 1000/180 mm is possible as an option.
- Different tyres: Treaded and/or non-marking tyres are available.
- Combi instrument for battery charge and operating hours which also incorporates a service error code display. (Standard on EXV 10/12)
- Integrated battery charger.
- Load backrest.
- Cold store protection to -30 °C for EXV 10/12.
- Colour-coded indicator affixed to the mast to indicate the residual capacity relative to the lift height.
- Mast safety protection screen made from polycarbonate.

OPTISPEED 3.0 (Optional on EXV 10 / not available on EXV Basic).

With the latest development of the AC controller in combination with a dual safety angle sensor in the tiller, STILL has incorporated an innovative and ergonomic safety function:

- Depending on the angle of the tiller, the speed is automatically controlled. Thus with the tiller almost vertical, slow travel is achieved, which makes manoeuvring in confined areas very simple and safe. Also, the possibility of the machine being driven over the operator's feet is virtually eliminated.

EXV 10 Basic Technical Data.

The entry model EXV 10 basic is particularly suitable for load handling to the first beam height, and thus offers sound and proven technology which is easy to operate.

Design.

- The EXV 10 Basic features modern and user-friendly design, as well as the ergonomic STILL tiller.
- Various storage compartments are incorporated in the strong plastic cover

Steering.

- With an offset drive and castor wheel, the high lift pallet stacker is a safe and stable 4-wheel truck.

Tiller.

- The EXV 10 Basic is equipped with the ergonomic and IP 54 protected STILL tiller.

Drive.

- The EXV uses a wear and maintenance-free, totally enclosed 1.2 kW three-phase alternating current (AC) drive motor which provides excellent driving characteristics.

Mast.

- The EXV 10 Basic can be equipped with two alternative mast heights.
- The sound and proven technology permits storage up to the first beam level, supported by an easy to operate hydraulic system.

Options.

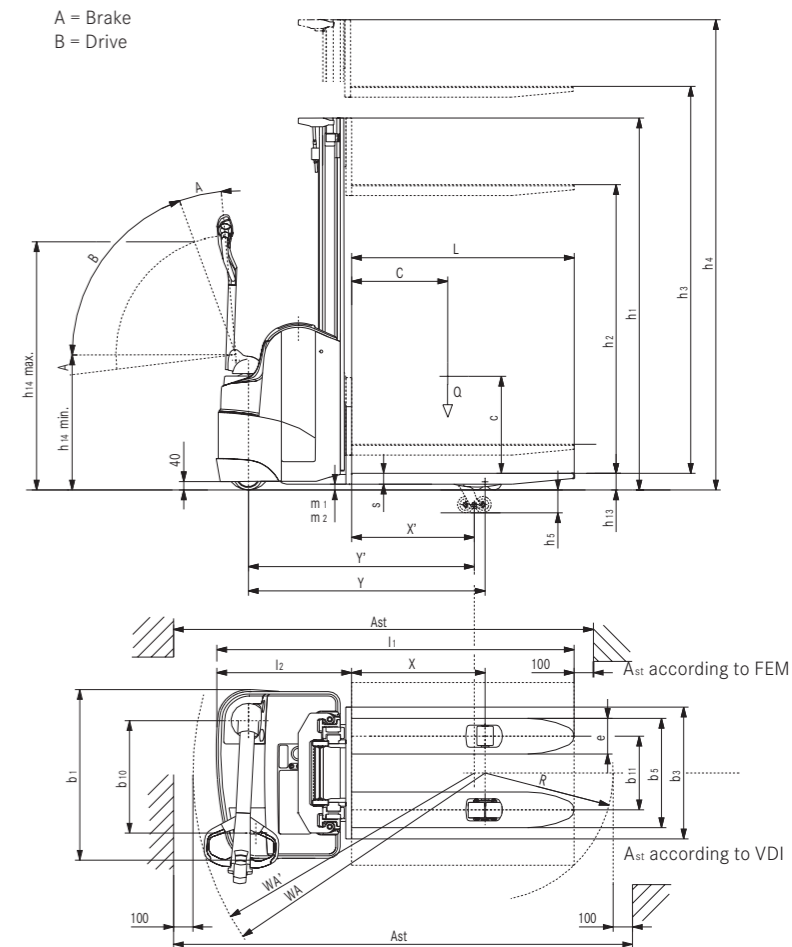
- Combi instrument for battery charge and operating hours, which also incorporates a service error code display.
- Integrated battery charger.
- Load backrest.
- Cold store protection to -30 °C for EXV 10/12.

Safety.

- The vehicles conform to the Machine Directive 98/37/EG and carry the CE mark. STILL is certified to ISO 9001.

In accordance with VDI guidelines 2198 or 3597, this specification applies to the standard model only. Alternative tyres, mast types, ancillary equipment, etc. could result in different values.

Characteristics	STILL EGV 14								STILL EGV 16									
	Chassis		short		long		Initial lift		short		long		Initial lift					
		Mast	Tele/HiLo	Triplex	Tele/HiLo	Triplex	Tele/HiLo	Triplex	Tele/HiLo	Triplex	Tele/HiLo	Triplex	Tele/HiLo	Triplex				
1.3	Drive (electric, diesel, petrol, LPG, mains electric)	electric								electric								
1.4	Operation (hand, pedestrian, stand, sit, order picker)	pedestrian								pedestrian								
1.5	Capacity/load	Q	1400								1600							
1.6	Load centre	c	600								600							
1.8	Load distance	x	690	670	690	670	690 (647) ¹	670 (627) ¹	690	670	690	670	690 (647) ¹	670 (627) ¹				
1.9	Wheel base	y	1223				1273				1223				1273			
2.1	Truck weight (including battery)		815	950	825	960	925	1060	815	950	825	960	925	1060				
2.2	Axle load laden	drive end/load end	831/1607	886/1687	890/1645	944/1726	897/1791	948/1875	846/1792	896/1877	905/1830	954/1916	912/1976	959/2064				
2.3	Axle load unladen	drive end/load end	724/314	803/370	790/345	864/406	801/487	872/551	724/314	803/370	790/345	864/406	801/487	872/551				
3.1	Tyres		Polyurethane								Polyurethane							
3.2	Tyre size	drive end	ø 230 x 75								ø 230 x 75							
3.3	Tyre size	load end	85x102	85x80	85x102	85x80	85x80		85x80		85x80		85x80					
3.4	Support castor		ø 150 x 50								ø 150x50							
3.5	Number of wheels (x = drive wheel)	drive end/load end	1x1/2	1x1/4	1x1/2	1x1/4	1x1/4		1x1/4		1x1/4		1x1/4					
3.6	drive end/load end	b ₁₀	580								580							
3.7	Track width	load end	383 (for b ₅ = 564)								383 (for b ₅ = 564)							
4.2	Height, mast lowered	h ₁	see mast table								see mast table							
4.3	Free lift	h ₂	see mast table								see mast table							
4.4	Lift	h ₃	see mast table								see mast table							
4.5	Height, mast raised	h ₄	see mast table								see mast table							
4.6	Initial lift	h ₅	-	-	-	-	-	115	-	-	-	-	-	115				
4.9	Height, tiller in drive position	min/max.	765/1285								765/1285							
4.15	Height lowered	h ₁₃	86								86							
4.19	Overall length without load	l ₁	1890	1910	1940	1960	1990	2010	1890	1910	1940	1960	1990	2010				
4.20	Length including fork backs	l ₂	700	720	750	770	810	830	700	720	750	770	810	830				
4.21	Overall width	b ₁	880								880							
4.22	Fork dimensions	s/e/l	56/184/1190								55/184/1190							
4.24	Fork carriage width	b ₃	680								680							
4.25	Overall fork width	b ₅	564								564							
4.31	Floor clearance under mast, laden	m ₁	25				25 (140) ¹				25				25 (140) ¹			
4.33	Working aisle width with 1000 x 1200 wide pallet	A _{st}	2010	2030	2060	2080	2120 (2118) ¹	2140 (2138) ¹	2010	2030	2060	2080	2120 (2118) ¹	2140 (2138) ¹				
4.34	Working aisle width with 800 x 1200 pallet lengthways (b ₁₂ x l ₆)	A _{st}	2210	2230	2260	2280	2320 (2318) ¹	2140 (2338) ¹	2210	2230	2260	2280	2320 (2318) ¹	2340 (2338) ¹				
4.35	Turning radius	W _s	1500				1550				1500				1550			
5.1	Travel speed	laden/unladen	5/6								5/6							
5.2	Hoist speed	laden/unladen	0.12/0.25								0.10/0.25							
5.3	Lowering speed	laden/unladen	0.34/0.20								0.34/0.20							
5.7	Gradeability	laden/unladen	2.5/7.5								2.0/7.5							
5.8	Max gradeability kB 5	laden/unladen	7/15								6/15							
5.9	Acceleration time over 10 m	laden/unladen	8/6.5								8/6.5							
5.10	Service brake		electromagnetic								electromagnetic							
6.1	Drive motor, rating S2 = 60 min	kW	1.2								1.2							
6.2	Hoist motor, rating	kW	3.0/15%								3.0/15%							
6.3	Battery to DIN 43531/35/36 A, B, C, No		DIN 43535 A								DIN 43535 A							
6.4	Battery voltage, rated capacity C ₅	V/Ah	24 V/200-240 Ah				24 V/240-360 Ah				24 V/200-240 Ah				24 V/240-360 Ah			
6.5	Battery weight ± 5% (depending on make)	kg	tray 102 = 222				tray 103 = 298, tray 143 = 211				tray 102 = 222				tray 103 = 298, tray 143 = 211			
6.6	Energy consumption to VDI cycle	kWh/h	1.36								1.36							
8.1	Type of drive control		pulse control								pulse control							
8.4	Sound level at driver's ear	dB (A)	64.3								64.3							



¹ Figures in brackets = Initial lift raised

Mast table - capacity 1400 and 1600 kg.

	Telescopic									HiLo with full free lift					Triplex with full free lift					
h ₃	1844	2344	2744	2844	3044	3244	3544	3744	4144	4644	1844	2344	2844	3244	3744	4144	4116	4266	4716	5466
h ₁	1420	1670	1870	1920	2020	2120	2270	2370	2570	2820	1420	1670	1920	2120	2370	2570	1870	1920	2070	2320
h ₂	150	150	150	150	150	150	150	150	150	150	890	1140	1390	1590	1840	2040	1340	1390	1540	1790
h ₄	2375	2875	3275	3375	3575	3775	4075	4275	4675	5175	2375	2875	3375	3775	4275	4675	4647	4797	5247	5997

High Lift Pallet Truck EGV 14/16.

Design.

- With functional design and optimal ergonomics, these trucks are good all-rounders for a multiplicity of applications.
- Storage compartments are incorporated into the cover, which is made of extremely strong polyurethane.
- Sturdy chassis made of thick walled sheet steel is a match for the hardest of applications.

Steering.

- Lighter steering and ergonomically weighted tiller makes for easy manoeuvring in the tightest spaces.
- A gas spring takes the user friendly balanced tiller handle quickly into the vertical braking position when it is released.
- The offset drive wheel and auxiliary swivel castor mean that this high lift pallet truck is a stable 4-wheel vehicle.

Tiller.

- Tiller head made of extremely strong, impact resistant plastic.
- Ergonomic layout of the controls, suitable for right or left handed operators. The push buttons for the signal horn, hoisting, lowering and initial lift can be operated using one hand without changing grip.
- Wear free switching technology for the travel, hoist and lower functions, plus installation of components and wiring harnesses to enclosure class IP 65, guarantee years of reliability.
- The anatomically shaped impact switch in the tiller head prevents the operator getting trapped even when the tiller is almost vertical. The EGV will switch immediately from forward to reverse travel if the impact plate touches the operator. In this way the truck automatically moves away from the operator and then comes to a stop.

Drive.

- Comfortable, economical and hence cost saving operation, thanks to an electronic controller with MOSFET technology.
- Sensitive driving, independent of load, by virtue of the remotely excited shunt wound motor.
- The trucks will start smoothly and accelerate evenly up to maximum travel speed.
- Braking whilst travelling is achieved by releasing the drive switch or by plugging. The remotely excited motor acts as a generator and is used to recover energy when braking.
- When starting on a gradient the controller and the drive come immediately into effect to prevent uncontrolled rolling back.

Mast.

- Clear view mast in telescopic, telescopic with special free lift and Triplex versions.
- Narrow mast design gives clear visibility past the mast which means greater safety when stacking and destacking, even with very high loads.
- Nested I-beam mast sections are fitted with inclined mast rollers and the lift chains run behind them, to give a clear view onto the roadway and the load.

Hydraulic system.

- Enclosed motor drives a high pressure gear pump.
- Hoist and lowering speeds are regulated by depressing the corresponding button.
- Fully proportional hydraulics are achieved by electronic control of the pump motor speed.
- Maximum pressure valve, lowering control valve and hose burst safety valve protect the hydraulics.

Initial lift.

- Increases the floor clearance to 140 mm (115 mm lift) making it possible to drive over uneven floors and changes of gradient.
- Makes use as a low lift pallet truck possible for an open pallet up to a maximum weight of 2000 kg.

Brake system.

- The electromagnetic disc brake system is protected from dirt and acts both as a safety braking system and a parking brake. The drive controller takes control of the brake, operating on the motor shaft, with simultaneous actuation of the electromagnet and shut off of the drive current. Braking is automatic when the tiller is horizontal or vertical (deadman braking).

Battery.

- Mounted on a roller track, the battery can be changed by pulling out to one side or lifting with a hoist.
- The battery hood, manufactured from extremely strong, impact-resistant polyurethane, can be removed without tools, facilitating battery inspection and maintenance.
- Combi-instrument displaying battery state of charge and operating hours is fitted as standard.

Auxiliary equipment.

- Initial lift available on the long chassis version.
- Load backrest.
- On-board charger.
- Travel speed limit from $h_3 = 2000$ mm.
- Cold store version to -30 °C.
- Intermediate lift limit.
- Lift height gauge.

Safety.

- Trucks are built to the Machinery Guidelines 98/37/EC and carry the CE symbol.
- Still is certified to ISO 9001.

EXV.



EGV 14.



EGV 20.



EGV-S.



This specification sheet to VDI Guidelines 2198 only gives the technical figures for the standard truck.
Different tyres, other masts, additional equipment etc. could give different figures.

				STILL	STILL	STILL		
				EGV 20 DUPLEX ¹	EGV 20 TRIPLEX ²	EGV 20 LB		
Characteristics	1.1	Manufacturer						
	1.2	Manufacturer's model designation						
	1.3	Drive: electric, diesel, petrol, LPG, mains electric		Electric	Electric	Electric		
	1.4	Steering: Tiller, pedestrian, stand-on, sit-on, automatic		Tiller	Tiller	Tiller		
	1.5	Capacity/load	Q	t	2.0	2.0	2.0	
	1.6	Load centre	c	mm	600	600	600	
	1.8	Load distance from centre of front axle with forks extended	x	mm	706	685	637 ^{9,12}	
	1.9	Wheel base	y	mm	1323	1323	1359 ¹²	
	Weights	2.1	Truck weight (without. battery)	(front/rear)	kg	877 ⁷	967 ⁶	1039 ¹⁰
2.2		Axle load laden		kg	941/2231 ⁸	941/2298 ⁸	1092/2235 ^{10,11}	
2.3		Axle load unladen	(front/rear)	kg	787/385 ⁸	840/422 ⁸	904/423 ^{10,11}	
Wheels chassis	3.1	Tyres			Polyurethane	Polyurethane	Polyurethane	
	3.2	Tyre size, front			mm	230/120	230/120	230/120
	3.3	Tyre size, rear			mm	85 x 70	85 x 70	85 x 70
	3.5	Number of wheels front/rear (x = driven)				1 x -1/4	1 x -1/4	1 x -1/4
	3.6	Track width, front	b ₁₀	mm	574	574	574	
Basic dimensions	3.7	Track width, rear	b ₁₁	mm	380	380	380	
	4.2	Height, mast lowered	h ₁		-	-	2332	
	4.3	Free lift	h ₂		-	-	90	
	4.4	Lift height	h ₃	mm	-	-	3580	
	4.5	Height, mast raised	h ₄	mm	-	-	4092 ³	
	4.6	Initial lift	h ₅	mm	-	-	135	
	4.9	Height - tiller in drive position (min./max.)	h ₁₄	mm	762/1232	760/1232	762/1232	
	4.15	Height forks lowered	h ₁₃	mm	85	85	91	
	4.19	Overall length	l ₁	mm	1956	1977	2053	
	4.20	Length inc. fork backs	l ₂	mm	794 ⁴	815 ⁴	903	
	4.21	Overall width, chassis	b ₁	mm	860	860	860	
	4.22	Fork dimensions	s/e/l	mm	61/200/1150	61/200/1150	61/200/1150	
	4.24	Fork carriage width	b ₃	mm	680	680	680	
	4.25	Overall fork width	b ₅	mm	570	570	570	
	Performance data	4.32	Floor clearance, centre of wheel-base	m ₂	mm	29	29	-
4.33		Working aisle width for 1000x1200 pallet crossways	A _{st}		2454 ⁴	2463 ⁴	2559 ⁴	
4.34		Working aisle width for 800x1200 pallet lengthways	A _{st}	mm	2421 ⁴	2438 ⁴	2550 ⁴	
4.35		Turning radius	W _a	mm	1585	1585	1655 ^{4,12}	
5.1		Travel speed	laden/unladen	km/h	5/6	5/6	5/6	
5.2		Hoist speed	laden/unladen	m/s	0.10 ⁷ /0.17 ⁷	0.10 ⁶ /0.17 ⁶	0.10/0.17	
5.3		Lowering speed	laden/unladen	m/s	0.30 ⁷ /0.23 ⁷	0.28 ⁶ /0.23 ⁶	0.30/0.23	
5.8		Gradeability KB5 ⁵	laden/unladen	%	2.8 ^{7,8} /9.0 ^{5,7,8}	2.6 ^{6,8} /9.0 ^{5,6}	2.4 ¹⁰ /10.6 ^{10,11}	
E-motor	5.10	Service brake			Electromagnetic	Electromagnetic	Electromagnetic	
	6.1	Drive motor, rating KB 60' min		kW	1	1	1	
	6.2	Hoist motor, rating 15% ED		kW	3	3	3	
	6.3	Battery to BS/DIN 43531/35/36 A, B, C			DIN elements	DIN elements	DIN 43535 B	
	6.4	Voltage, rated capacity		V/Ah	24/315 (375)	24/315 (375)	24/330 (375)	
	6.5	Battery weight ± 5%		kg	295 (302)	295 (302)	288 (305)	
Misc	8.1	Drive control			Electronic	Electronic	Electronic	
	8.4	Sound level at driver's ear		dB (A)	< 70	< 70	< 70	

¹ With limited free lift.

² With full free lift.

³ With load backrest + 490 mm.

⁴ With tiller vertical - 45 mm.

⁵ Maximum gradeability related to truck geometry unladen.

⁶ Data related to mast with h₃ = 4380 mm.

⁷ Data related to mast with h₃ = 3580 mm.

⁸ With 315 Ah battery.

⁹ - 20 mm with Triplex mast and full free lift.

¹⁰ With Duplex mast h₃ = 3580 mm and min. rated battery capacity (see battery weight Line 6.5).

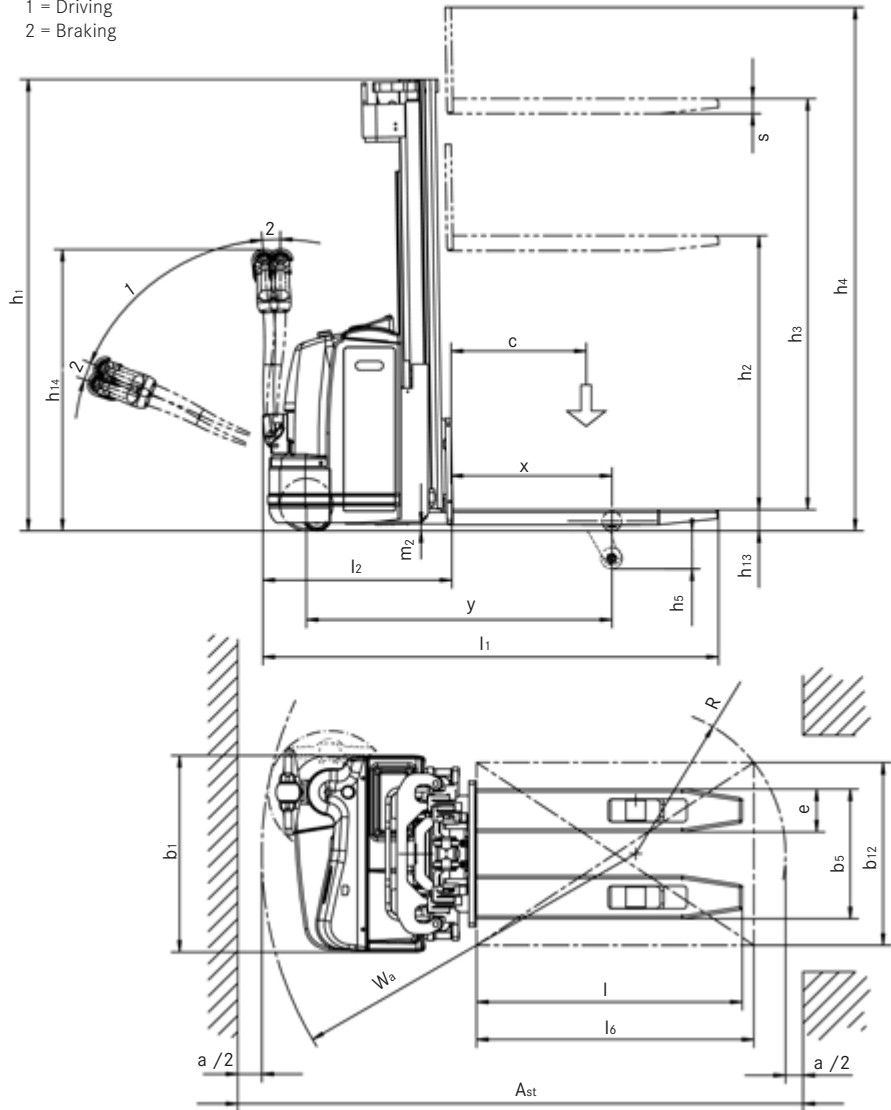
¹¹ Data related to wheel arms not raised (h₅ = 0 mm).

¹² Data related to wheel arms raised (h₅ = 135 mm).

	DX/Tele			DXLLT/Ni-Ho				TX/triple	
	EGV 20			EGV 20				EGV 20	
h ₁	1977	2177	2327	1807	1977	2177	2327	1907	1977
h ₂	90	90	90	1299	1469	1630	1780	1399	1469
h ₃	2900	3280	3580	2590	2930	3270	3570	4170	4380
h ₄	3408	3786	4088	3098	3438	3778	4078	4678	4888
	EGV 20 LB			EGV 20 LB				EGV 20 LB	
	h ₁	1982	2182	2332	1982	2182	2332	1982	1982
	h ₂	90	90	90	1469	1630	1780	1469	1469
	h ₃	2900	3280	3580	2930	3270	3570	4380	4380
	h ₄	3413	3793	4093	3443	3783	4083	4893	4893

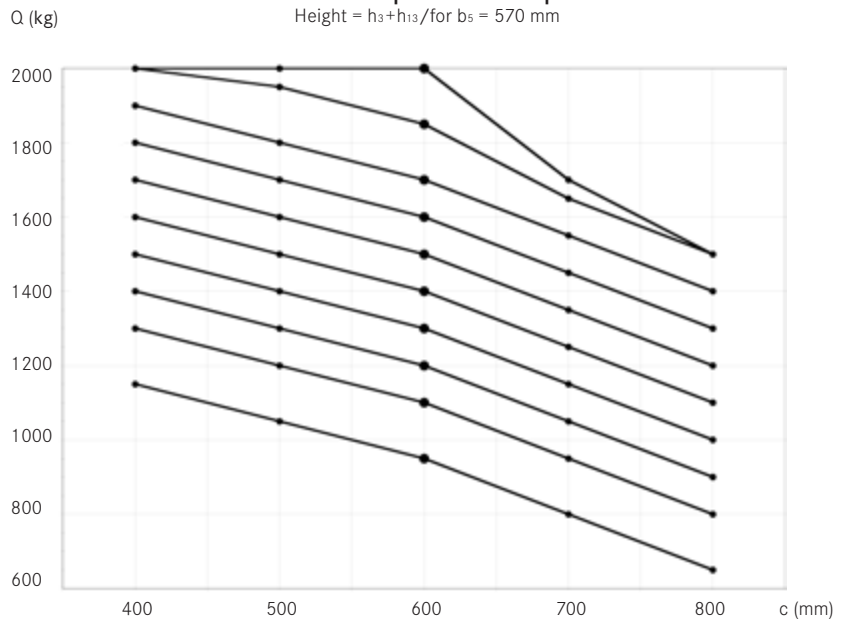
Pedestrian high lift pallet truck.

- 1 = Driving
- 2 = Braking



EGV 20 Duplex and Triplex.

Height = $h_3 + h_{13}$ / for $b_5 = 570$ mm



Pedestrian high lift pallet truck EGV 20.

Model.

The EGV has been specially developed for arduous workloads involving putting goods into and taking them out of stock at medium lift heights.

Chassis.

- The construction, with four support points and the tiller fitted at the side, guarantees high stability with a perfect view of the load when picking up and placing a pallet at height.
- The drive unit and the support wheel remain within the truck frame, so that the driver's feet are better protected.
- The battery compartment is protected all round by steel sheets and designed for DIN batteries. As standard the battery is pulled out from the side.
- The covers are made of impact-resistant heavy duty polyurethane and possess high strength and elasticity enabling them to absorb heavy impacts without deformation.

Tiller.

- Comprises a new tiller head made as a single high-strength plastic moulding, and tiller arm in oval profile tube.
- The shape and fixing of the tiller are designed so that it can be operated comfortably by any size of person.
- The lightness of the tiller and its ease of operation enable the pallet truck to be used over a long period without operator fatigue. When the tiller is released it returns to the rest position without impact or kick-back, making for a safe working environment.
- Proportional control of the hoist and lowering movement, using a control on the tiller is provided as standard.

Drive.

- Shunt wound drive motor with a rating of 1 kW.
- The support wheel has a simple adjustment mechanism, guaranteeing optimal tyre grip and stability of the pallet truck under all conditions.

Mast.

- Duplex and Triplex masts are available, giving the best all-round vision; lift heights over 4300 mm.
- The masts are available with limited free lift, or full free lift of the forks.
- The hydraulics use a powerful 3 kW motor.

Initial lift.

- Increases the floor clearance to 135 mm making it possible to drive over uneven floors and changes of gradient.
- At the same time allows a pallet with a maximum weight of 2000 kg to be handled.

Brakes.

- The high lift pallet truck has two independent braking systems:
- Service brake: generator brake operating on the drive motor (with energy feedback) and triggered electronically by releasing the driveswitch.
 - Parking brake: electromagnetic brake disc.

Electronic system.

- 24 volt DC supply.
- Electronic MOSFET combi-controller for drive and pump motor.
- The work hour meter incorporates an error message display.
- The new electronic system guarantees low energy consumption and quiet operation of the pallet truck. The control system prevents current peaks and thus protects the motors and the battery from premature wear.
- All electrical systems and cabling are to Enclosure Class IP 54 and protected against water splashes and the ingress of dust, guaranteeing years of reliability. Components from the automotive trade with an Enclosure Class of IP 67 are used for the connecting plugs.

Options.

- Cold store version: -30 °C.
- Integral 50 A charger.
- Adjustable forks in L shape.
- Load backrest.

Safety.

Trucks are built to the Machinery Guidelines 98/37/EC and carry the CE symbol.
STILL is certified to ISO 9001.

Pedestrian high lift pallet truck with hinged platform.

The new high lift pallet truck, with hinged driver's platform and side protection arms, has been developed with the objective of achieving the best possible safety and ergonomics. Thanks to the use of reliable and proven technical solutions, the new EGV-S is an extremely reliable and productive machine, especially under difficult application conditions.

Chassis.

The EGV-S has 4-point wheel support: the rigidly mounted drive unit, arranged to one side, with a castor wheel. This configuration guarantees the stability and high residual capacity that are essential properties of a high lift pallet truck. The motor compartment is fitted with a strong and resilient polyurethane cover, with very high impact resistance. The same material is used for the battery compartment cover, which features an integral storage tray and a document clip. The battery is changed with a hoist, but can also be removed from the side. Both options are included in standard specifications. Batteries with a capacity of up to 360 Ah can be used.

Mast.

Two capacities are offered: 1400 kg and 2000 kg. There is a wide range of masts to choose from: SIMPLEX, DUPLEX (with and without full free lift) and TRIPLEX (full free lift) masts, all offering excellent visibility. Masts are available with lift heights over 5300 mm (EGV-S 14) or over 4300 mm (EGV-S 20).

Tiller.

Two butterfly switches integrated into the tiller head control the lift and lower functions. They operate a proportional valve and thus guarantee sensitive lifting and lowering. The tiller is manufactured as one lightweight, high strength plastic moulding. Thanks to the ergonomic handle design and the optimised arrangement of the controls, the high lift pallet truck can be accurately steered and safely operated under all conditions. The switchgear uses proven and reliable membrane technology, which does away with mechanical contacts.

Driver's stand-on platform.

The platform surface is fitted with a soft rubber material with a non-slip surface, which guarantees the highest comfort and best possible safety. The platform step height is a very low 170 mm. Safety is built in to the design: as soon as the operator steps off the platform, it lifts, the truck goes into standby mode and cannot be driven. The specially shaped protective side arms are encased in polyurethane foam and positioned at an ideal height to provide the operator with safe, comfortable and effective support when standing on the platform. Opening and closing the arms is quick and easy while being very safe and secure – thus providing an uncomplicated transition from stand-on to pedestrian mode and increasing the versatility of the truck.

Steering.

To keep the steering as light as possible, the tiller is power assisted. The force required for steering increases in proportion to the speed of the truck. When travelling round bends, the travel speed is automatically reduced – improving safety and maintaining lateral stability.

Drive.

The drive is provided by a motor with a rating of 1.2 kW. The motor is of the shunt-wound design and special software allows it to be controlled in such a way that the benefits of shunt wound technology are harnessed to maximum effect:

- Effective and safe control of the speed, whether laden, unladen or on ramps.
- Energy recovery, leading to reduced energy consumption.

Initial lift.

- Increases the floor clearance to 135 mm making it possible to drive over uneven floors and changes of gradient.
- At the same time allows a pallet with a maximum weight of 2000 kilogrammes to be carried.

Brakes.

- The high lift pallet truck has two independent brake systems:
- Service brake: generator brake operating on the drive motor (with energy feedback) and triggered electronically by releasing the driveswitch.
 - Parking brake: electromagnetic brake disc.

Combi-controller for driving and hoisting.

The high lift pallet truck is equipped with a combi-controller with MOSFET technology, which is responsible for the control of both drive and pump motors. Thanks to the serial data transfer of the electrical signals, the reduced wiring and the use of automotive-style plugs, very high reliability levels are achieved. Proximity switches are used instead of mechanically operated micro-switches and this, together with the low number of switching contactors, completes a technical configuration designed to provide a dramatic reduction in operating costs. The steering motor control uses MOSFET technology.

Options.

- Various mast variants.
- Cold store version: -30 °C.
- Drive wheel in smooth rubber (EGV-S 14 only).
- Adjustable forks (L shape) (EGV-S 14 only).
- Tandem load rollers (EGV-S 14 only).
- Load backrest.
- Integral 50 A charger.

Safety.

Trucks are built to the Machinery Guidelines 98/37/EC and carry the CE symbol. STILL is certified to ISO 9001.



Your contact

STILL GmbH
Berzeliusstraße 10
D-22113 Hamburg
Telephone: +49 (0)40/73 39-2000
Telefax: +49 (0)40/73 39-2001
info@still.de

For further information please visit:
www.still.de

STILL Materials Handling Ltd.
Aston Way, Leyland
Lancashire PR26 7UX
Telephone: +44 (0)1772 644300
Telefax: +44 (0)1772 644303
info@still.co.uk

For further information please visit:
www.still.co.uk