



---

EXG 10

---

EXG 12

---

EXG 16

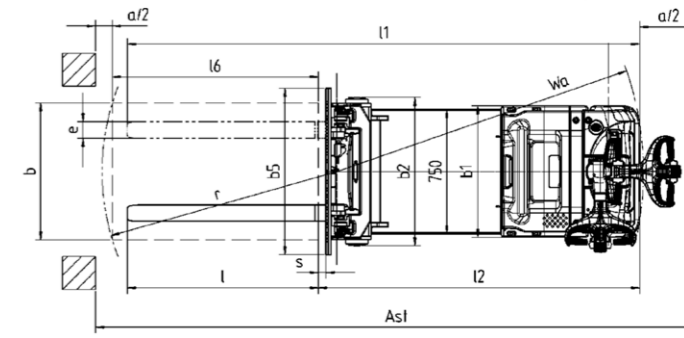
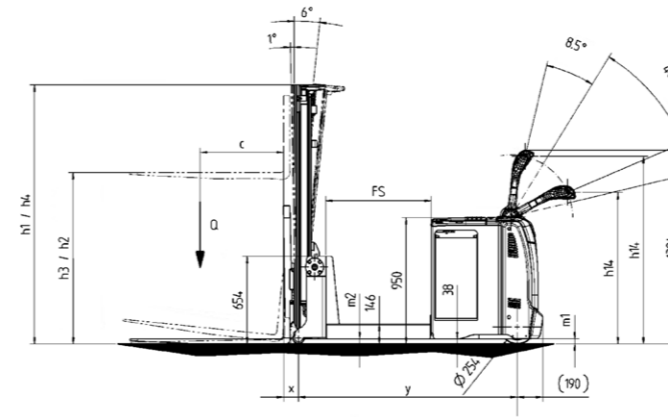
## EXG Technical Data

Pedestrian forklift truck



In accordance with VDI guidelines 2198 and 3597, respectively, this specification applies to the standard model only. Alternative tyres, mast types, ancillary equipment, etc. may result in different values.

| Characteristics  |  |                    |                 | STILL         | STILL          | STILL          |
|------------------|--|--------------------|-----------------|---------------|----------------|----------------|
| 1.1              | Manufacturer   |                    |                 | EXG 10        | EXG 12         | EXG 16         |
| 1.2              | Manufacturer's model designation   |                    |                 | Electric      | Electric       | Electric       |
| 1.3              | Drive (electric, diesel, petrol, LPG, mains)   |                    |                 | Pedestrian    | Pedestrian     | Pedestrian     |
| 1.4              | Control (manual, pedestrian, stand-on, driver seated, order picker)                          |                    |                 |               |                |                |
| 1.5              | Rated capacity/load  | Q                  | kg              | 1000          | 1200           | 1600           |
| 1.6              | Load centre distance   | c                  | mm              | 500           | 500            | 500            |
| 1.8              | Load centre  | x                  | mm              | 100           | 100            | 105            |
| 1.9              | Wheel base   | y                  | mm              | 1270          | 1270           | 1635           |
| Weights          |  |                    |                 |               |                |                |
| 2.1              | Tare weight (incl. battery)  |                    | kg              | 1930          | 2060           | 2020           |
| 2.2              | Axle load without load   | drive end/load end | kg              | 1125/805      | 1180/880       | 1310/710       |
| 2.3              | Axle load with load  | drive end/load end | kg              | 660/2270      | 620/2640       | 730/2890       |
| Wheels   Tyres   |  |                    |                 |               |                |                |
| 3.1              | Tyres  |                    |                 | Polyurethane  | Polyurethane   | Polyurethane   |
| 3.2              | Tyre size  | drive end          | mm              | ø 254 x 102   | ø 254 x 102    | ø 254 x 102    |
| 3.3              | Tyre size  | load end           | mm              | 4x ø 85 x 105 | 4x ø 85 x 105  | 4x ø 85 x 105  |
| 3.5              | Wheels, number (x = driven)  | drive end/load end |                 | 1x / 4        | 1x / 4         | 1x / 4         |
| 3.7              | Track width  | load end           | b <sub>10</sub> | mm            | 483            | 483            |
| Basic dimensions |  |                    |                 |               |                |                |
| 4.1              | Mast/fork carriage tilt forward (option)   |                    | °               | 1             | 1              | 1              |
| 4.1.1            | Mast/fork carriage tilt backward (option)  |                    | °               | 6             | 6              | 6              |
| 4.2              | Closed mast height   |                    | h <sub>1</sub>  | mm            | 1690           | 1940           |
| 4.3              | Free lift  |                    | h <sub>2</sub>  | mm            | 1212           | 1462           |
| 4.4              | Lift   |                    | h <sub>3</sub>  | mm            | 2424           | 2924           |
| 4.5              | Extended mast height   |                    | h <sub>4</sub>  | mm            | 2985           | 3485           |
| 4.9              | Tiller height in driving position  | min./max.          | h <sub>14</sub> | mm            | 1140/1350      | 1140/1350      |
| 4.15             | Lowered fork height  |                    | h <sub>13</sub> | mm            | 40             | 45             |
| 4.19             | Overall length without load  |                    | l <sub>1</sub>  | mm            | 2550           | 2920           |
| 4.20             | Length incl. fork back   |                    | l <sub>2</sub>  | mm            | 1550           | 1920           |
| 4.21             | Overall width  |                    | b <sub>1</sub>  | mm            | 790/890        | 790/890        |
| 4.22             | Fork arm dimensions  |                    | s/e/l           | mm            | 40 x 80 x 1000 | 40 x 80 x 1000 |
| 4.24             | Width fork carriage  |                    | b <sub>1</sub>  | mm            | 800/900/1000   | 800/900/1000   |
| 4.31             | Floor clearance  |                    | m <sub>1</sub>  | mm            | 40             | 40             |
| 4.32             | Floor clearance, centre wheel base   |                    | m <sub>2</sub>  | mm            | 40             | 40             |
| 4.33             | Working aisle width at pallet dim. 1000 x 1200 crosswise                                     |                    | A <sub>st</sub> | mm            | 2933           | 3302           |
| 4.34             | Working aisle width at pallet dim. 800 x 1200 lengthwise (b <sub>12</sub> x l <sub>2</sub> ) |                    | A <sub>st</sub> | mm            | 3040           | 3410           |
| 4.35             | Turning radius   |                    | W <sub>0</sub>  | mm            | 1480           | 1845           |
| Performance      |  |                    |                 |               |                |                |
| 5.1              | Driving speed  | with/without load  | km/h            | 6/5           | 6/5            | 6/5            |
| 5.2              | Lift speed   | with/without load  | m/s             |               |                |                |
| 5.3              | Lowering speed   | with/without load  | m/s             |               |                |                |
| 5.10             | Service brake  |                    |                 | Electric      | Electric       | Electric       |
| Electric motor   |  |                    |                 |               |                |                |
| 6.1              | Drive motor, performance at S2 = 60 min  |                    | kW              | 3             | 3              | 3              |
| 6.2              | Lift motor, performance at S3 = 15%  |                    | kW              | 3             | 3              | 3              |
| 6.3              | Battery in accordance with DIN 43531/35/36; A, B, C, no                                      |                    |                 | DIN 43535     | DIN 43535      | DIN 43535      |
| 6.4              | Battery voltage, nominal capacity K <sub>s</sub>   | V/Ah               | V/Ah            | 24/375        | 24/500         | 24/500         |
| 6.5              | Battery weight ± 5% (acc. to manufacturer)   | kg                 |                 | 287           | 365            | 365            |
| 6.6              | Consumption per VDI cycle  | kWh/h              |                 |               |                |                |
| Other            |  |                    |                 |               |                |                |
| 8.1              | Type of drive control  |                    |                 | AC control    | AC control     | AC control     |
| 8.4              | Noise level, driver's ear  |                    | dB (A)          | <70           | <70            | <70            |



**Overall concept:**

- The new EXG tiller operated lift truck from STILL offers every benefit of a conventional lift truck in a modern and powerful machine:
- No straddle arms for easy and swift storage/retrieval of loads or to pick up enclosed load carriers.
  - Fork carriage with FEM interface to allow standard attachments.
  - Excellent residual capacities.
  - Compensation of fork deflection by mast tilt.

**Benefits of tiller operated trucks:**

- No driving licence required, instruction is sufficient.
- No mounting and leaving of the truck for quick and easy order picking.
- No hazard to pedestrians.
- Perfect panoramic visibility.
- High manoeuvrability.

**Flexible for individual requirements.**

- FEM fork carriage as interface for attachments, on request with up to 2 hydraulic functions.
- Large selection of batteries for any demand of service time and residual capacity. Change of the battery over the side available on request.
- Masts: Duplex mast, duplex mast with full free lift and triplex mast with a lift height of up to 4.30 m.

**Ergonomics and comfort.**

- Smooth, precise and direct electric steering.
- Many handy storage compartments on the battery cover.
- Display with alarm function, operating hour meter and inspection interval indicator.
- Free-view mast.
- Automatic speed reduction when cornering.

**Productivity.**

- Powerful and enduring drive and lift pump motors.
- Precise positioning of loads.
- Rated load capacity up to 1.6 tons.

**Technical features.**

**Drive.**

- Fully encapsulated, maintenance free 3-kW three-phase motor.
- Start of uphill drive without rolling back.
- Efficient drive characteristics.
- Electric service brake with energy recuperation.
- Powerful 3-kW pump motor.

**Tiller head.**

- Ergonomic layout of controls for easy operation by left and right handed operators.
- Pressure buttons for horn, lift and lowering are always in reach without changing grip, also when operating the truck single-handed.
- Very rugged tiller head.

**Wheels and tyres.**

- 2 pairs of Polyurethane load rollers mounted on a rocker-carriage.
- Large Polyurethane drive wheel (ø 254 x 102 mm).

**Electric system.**

- Modern CAN bus technology design.
- IP-54 protection to shield the complete electric system against dust and humidity.

**Additional equipment.**

- Mast tilt +1°/-6°.
- Load rest.
- Progressive lowering of the fork carriage.
- Preparation for material flow management system (MMS).
- Battery change over the side (4 PzS).
- Cold store version up to -35 °C.

|                  | Tele mast |      |      |      |      |        | HiLo mast |      |      |      |        | Triplex mast |      |      |
|------------------|-----------|------|------|------|------|--------|-----------|------|------|------|--------|--------------|------|------|
|                  | EXG 10    |      |      |      |      |        | EXG 10    |      |      |      |        | EXG 10       |      |      |
| h <sub>1</sub>   | 1515      | 1765 | 2015 | 2215 | 2465 |        | 1440      | 1690 | 1940 | 2140 | 2390   |              | 1690 |      |
| h <sub>1</sub> ' | 1590      | 1840 | 2090 | 2290 | 2540 |        | -         | -    | -    | -    | -      |              | -    |      |
| h <sub>2</sub>   | 150       | 150  | 150  | 150  | 150  |        | 962       | 1212 | 1462 | 1662 | 1912   |              | 1129 |      |
| h <sub>3</sub>   | 1924      | 2424 | 2924 | 3324 | 3824 |        | 1924      | 2424 | 2924 | 3324 | 3824   |              | 3516 |      |
| h <sub>4</sub>   | 2485      | 2985 | 3485 | 3885 | 4385 |        | 2485      | 2985 | 3485 | 3885 | 4385   |              | 4077 |      |
| EXG 12           |           |      |      |      |      | EXG 12 |           |      |      |      | EXG 12 |              |      |      |
| h <sub>1</sub>   | 1515      | 1765 | 2015 | 2215 | 2465 | 2665   | 1440      | 1690 | 1940 | 2140 | 2390   | 2590         | 1690 | 1940 |
| h <sub>1</sub> ' | 1590      | 1840 | 2090 | 2290 | 2540 | 2740   | -         | -    | -    | -    | -      | -            | -    | -    |
| h <sub>2</sub>   | 150       | 150  | 150  | 150  | 150  | 150    | 962       | 1212 | 1462 | 1662 | 1912   | 2029         | 1129 | 1379 |
| h <sub>3</sub>   | 1924      | 2424 | 2924 | 3324 | 3824 | 4224   | 1924      | 2424 | 2924 | 3324 | 3824   | 4224         | 3516 | 4266 |
| h <sub>4</sub>   | 2485      | 2985 | 3485 | 3885 | 4385 | 4785   | 2485      | 2985 | 3485 | 3885 | 4385   | 4785         | 4077 | 4827 |
| EXG 16           |           |      |      |      |      | EXG 16 |           |      |      |      | EXG 16 |              |      |      |
| h <sub>1</sub>   | 1515      | 1765 | 2015 | 2215 | 2465 | 2665   | 1440      | 1690 | 1940 | 2140 | 2390   | 2590         | 1690 | 1940 |
| h <sub>1</sub> ' | 1590      | 1840 | 2090 | 2290 | 2540 | 2740   | -         | -    | -    | -    | -      | -            | -    | -    |
| h <sub>2</sub>   | 150       | 150  | 150  | 150  | 150  | 150    | 879       | 1129 | 1379 | 1579 | 1829   | 2029         | 1129 | 1379 |
| h <sub>3</sub>   | 1844      | 2344 | 2844 | 3244 | 3744 | 4144   | 1844      | 2344 | 2844 | 3244 | 3744   | 4144         | 3516 | 4266 |
| h <sub>4</sub>   | 2405      | 2905 | 3405 | 3805 | 4305 | 4705   | 2405      | 2905 | 3405 | 3805 | 4305   | 4705         | 4077 | 4827 |

h<sub>1</sub>': Max height of mast with forks raised to 150 mm.



## Your contact

STILL GmbH  
Berzeliusstraße 10  
D-22113 Hamburg  
Telephone: +49 (0)40/73 39-20 00  
Telefax: +49 (0)40/73 39-20 01  
info@still.de

**For further information please visit:**  
[www.still.eu](http://www.still.eu)

STILL Materials Handling Ltd.  
Aston Way, Leyland  
Lancashire PR26 7UX  
Telephone: +44 (0)1772 644300  
Telefax: +44 (0)1772 644303  
info@still.co.uk

**For further information please visit:**  
[www.still.co.uk](http://www.still.co.uk)

