



CiTi Technical Data.



This specification sheet to VDI Guidelines 2198 only gives the technical figures for the standard truck.
Different tyres, other masts, additional equipment etc. could give different figures.

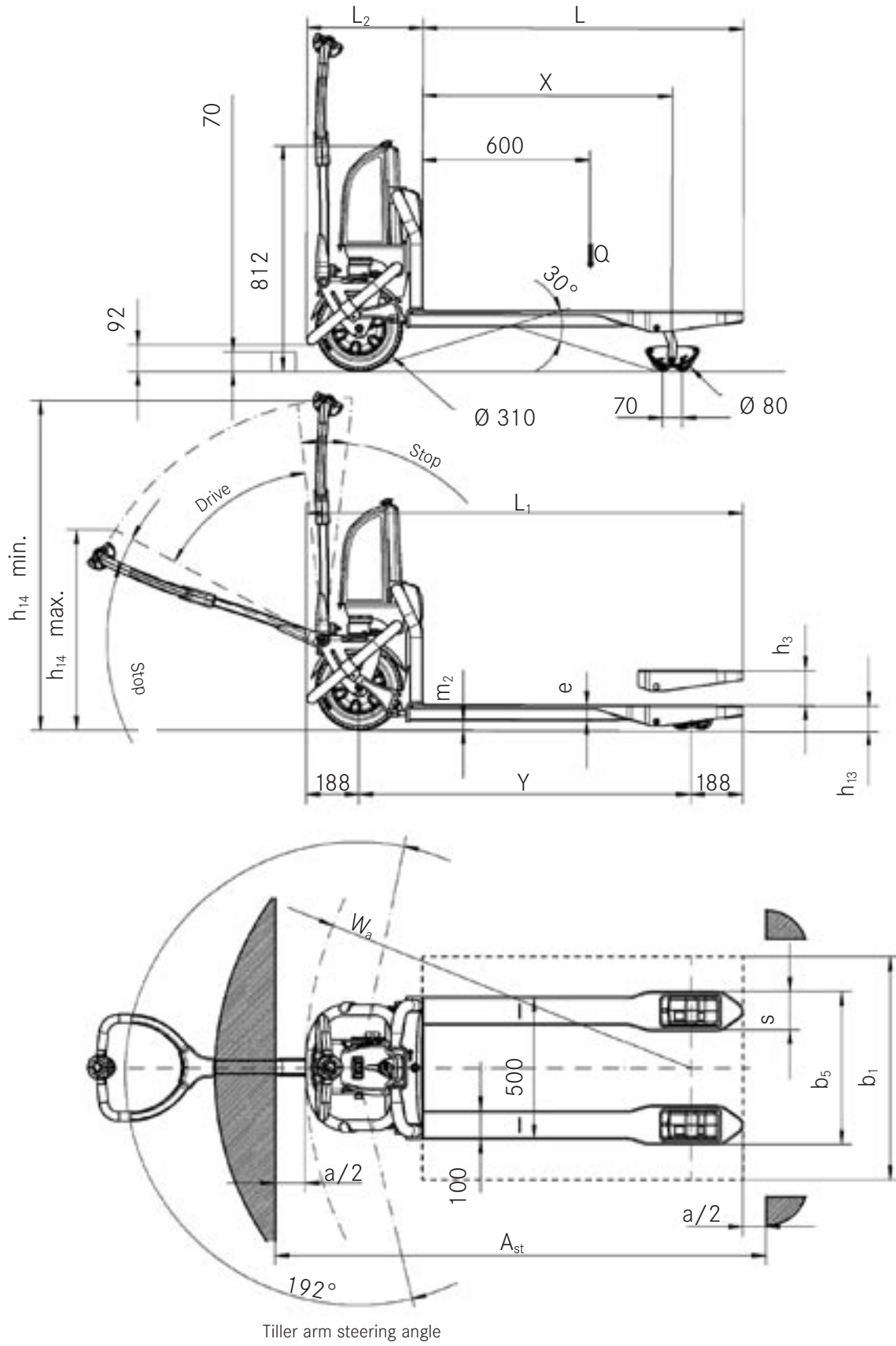
Characteristics	1.1	Manufacturer			STILL	
	1.2	Manufacturer's model designation			CiTi One	
	1.3	Drive (electric, diesel, petrol LP Gas, mains electric.)			Electric	
	1.4	Controls (hand, pedestrian, stand on, rider seated, order picker.)			Pedestrian	
	1.5	Capacity/load	Q	kg	500	
	1.6	Load centre	c	mm	600	
	1.8	Load distance	Forks up/down	x	mm	972/906 772/706
	1.9	Wheel base	y	mm	1185 985	
	Weights	2.11	Truck weight (inc. battery)	(Batt)	5 Ah	98
2.11			(Batt)	9 Ah	99	
2.11			(Batt)	15 Ah	102	
2.2		Axle load laden	drive end/load end		kg	224/374
2.3		Axle load unladen			kg	71/27
Wheels, chassis	3.1	Tyres (rubber, Vulkollan, pneumatic, polyurethane)			Rubber	
	3.2	Tyre size	drive end	ø x l	mm	310/85
	3.3	Tyre size	load end	ø x l	mm	Tandem 80 x 37
	3.4	Support castors	drive end	ø x l	mm	none
	3.5	Number of wheels (x = driven)	drive end/load end			1
	3.6	Track width	drive end		mm	0
	3.7	Track width	load end		mm	410
Basic dimensions	4.4	Lift		h ₃	mm	125
	4.9	Height of tiller in driving position	min./max.	h ₁₄	mm	650/1170
	4.15	Lowered height		h ₁₃	mm	85
	4.19	Overall length without load		l ₁	mm	1560
	4.20	Length including fork backs		l ₂	mm	410
	4.21	Overall width		b ₁ /b ₂	mm	550
	4.22	fork dimensions		s/e/l	mm	140/55/1150 140/55/950
	4.25	Overall fork width		b ₅	mm	550
	4.32	Floor clearance, centre of wheel-base		m ₂	mm	30/155
	4.34	Working aisle width with 800 x 1200 pallet lengthways (b ₁₂ x l ₆)		A _{st}	mm	1815
4.35	Turning radius		W _a	mm	1387/1321 1187/1121	
Performance	5.1	Travel speed min./max.	laden/unladen		km/h	4.5/6
	5.2	Hoist speed min./max.	laden/unladen		cm/s	3.7/5.4
	5.3	Lowering speed min./max.	laden/unladen		cm/s	4.9/5.8
	5.7	Gradeability	laden/unladen		%	8
	5.82	Permitted traversing speed			km/h	< 2
	5.9	Acceleration time (over 10m)	laden/unladen		s	7/6
5.10	Parking brake				electromagnetic	
Electric motors	6.1	Drive motor, rating S2 = 20 min			kW	0.3
	6.2	Hoist motor, rating at S3 : 5%			kW	0.35
	6.3	Battery to DIN 43531/35/36 A, B, C, No				NiCd/NiMH
	6.41	Battery voltage, rated capacity 5h			V/Ah	36 V/5 Ah
	6.42	Battery voltage, rated capacity 5h			V/Ah	36 V/9 Ah
	6.43	Battery voltage, rated capacity 5 h			V/Ah	36 V/15 Ah
	6.5	Battery weight 5/9/15 Ah			kg	6.4/7/10.5
6.6	Energy consumption to VDI cycle			Ah	0.06	
Other	8.1	Drive control				AC-Steuerung
	8.2	Sound level			dB (A)	< 60

STILL Pedestrian truck CiTi One

- The innovative lift truck for delivery operations within towns and cities
- Ideal for use in delivering to towns, leisure parks, exhibitions, hospitals or even businesses
- Very compact construction and low weight for easy handling
- Good traction even on uneven floors thanks to the large, treaded solid rubber drive wheel
- Easily climbs kerbs and steps up to 70 mm*
- Designed to be extremely quiet in operation
- A combination of electrical and mechanical brake for safe operation even on ramps
- Enclosed wheel hub drive for maintenance-free use
- Easy battery change for effective use and quick availability
- Emergency operation feature to ensure mobility in case of electrical failure

* Driving over kerbs in the drive wheel direction at a slow walking pace (max. 2 km/h)

CiTi One





Your contact

STILL GmbH

Berzeliusstraße 10

D-22113 Hamburg

Telephone: +49 (0)40/73 39-2000

Telefax: +49 (0)40/73 39-2001

info@still.de

For further information please visit:

www.still.de

STILL Materials Handling Ltd.

Aston Way, Leyland

Lancashire PR26 7UX

Telephone: +44 (0)1772 644300

Telefax: +44 (0)1772 644303

info@still.co.uk

For further information please visit:

www.still.co.uk