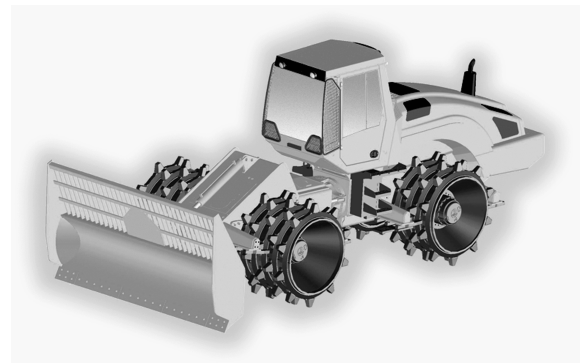




REFUSE COMPACTOR BC 462 RB, BC 472 RB

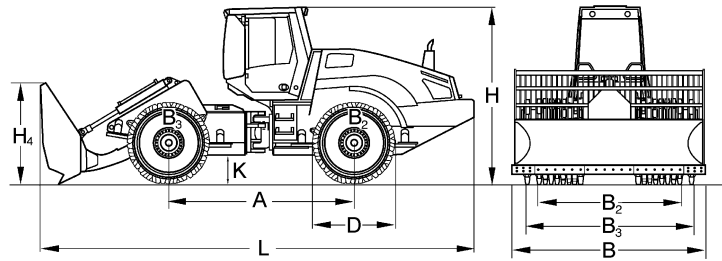
PERFORMANCE DATA



Technical Data

Shipping dimensions in m3

BC 462 RB	84,253
BC 472 RB	101,171



Optional Equipment

- Premium compaction wheels with highly wear resistant teeth
- Central lubrication system
- Cabin ventilation with activated carbon filter and overpressure
- Radio
- Pre start cabin heating
- Rotary beacon
- Fire extinguisher
- Special painting
- Environmentally compliant hydraulic oil
- Electrical anti-theft system with numerical code
- Protective ventilation system
- Tool kit
- Engine rpm preselection / Decelerator pedal
- Protective grille for cabin
- Working platform
- Rearview camera
- Air suspended seat
- TELEMATIC POWER

Dimensions in mm

	A	B	B2	B3	D	H	H4	K	L
BC 462 RB	3500	2998	2660	2885	1660	3390	1990	600	8290
BC 472 RB	3500	3600	3110	3335	1660	3390	1990	600	8290

Technical Data

Weights

Grossweight	kg	22.500	26.800
Operating weight CECE	kg	21.300	26.000
Axle load, front CECE	kg	10.600	12.900
Axle load, rear CECE	kg	10.700	13.100

Driving Characteristics

Speed (1), forward	km/h	0- 4,5	0- 4,5
Speed (1), reverse	km/h	0- 4,5	0- 4,5
Speed (2), forward	km/h	0- 12,0	0- 12,0
Speed (2), reverse	km/h	0- 12,0	0- 12,0
Max. gradeability (dep. on soil con.)	%	100	100
Max. pushing force	kN	230	259

Drive

Engine manufacturer	Deutz	Deutz	
Type	TCD 2013 L06 2V	TCD 2013 L06 2V	
Emission stage	3/3a	3/3a	
Cooling	Liquid	Liquid	
Number of cylinders	6	6	
Performance ISO 9249	kW	190,0	190,0
Performance SAE J 1349	hp	261,0	261,0
Speed	min-1	2.300	2.300
Travel system	hydrost.	hydrost.	
Operating voltage	V	12	12

Compaction Wheels

Width, front	mm	900	1.125
Width, rear	mm	900	1.125
Outer diameter (front)	mm	1.660	1.660
Outer diameter (rear)	mm	1.660	1.660
Number of teeth/cutters, front		40	50
Number of teeth/cutters, rear		40	50
Compaction coverage per side	mm	1.013	1.238

Brakes

Service brake	hydrost.	hydrost.
Parking brake	hydromec.	hydromec.

Steering

Steering system	oscil.artic.	oscil.artic.	
Steering method	hydraulic	hydraulic	
Steering angle +/-	grad	35	35
Oscillating angle +/-	grad	15	15
Track radius, inner	mm	4.116	3.891

Dozer Blade

Height adjustment over ground level	mm	1.200	1.200
Height adjustment below ground level	mm	120	120
Dozer blade capacity acc. to SAE J 1265	m3	9,1	11,0

Capacities

Fuel	l	375,0	375,0
Engine oil	l	27,5	27,5
Hydraulic oil	l	280,0	280,0

Technical modifications reserved. Machines may be shown with options.



PRE 930 00 001

020614 Sa04

BOMAG
Hellerwald
D-56154 Boppard
P.O. Box 5162
Tel. (0)6742 - 1000
Fax (0)6742 - 3090

