

BOMAG

FAYAT GROUP

**ROAD PAVER
BF 691 C**

PERFORMANCE DATA

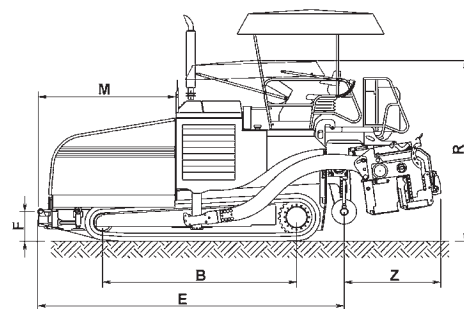
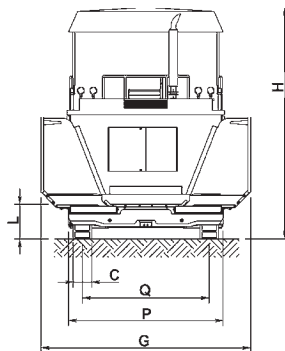


Technical Data

Shipping dimensions in m³

BF 691 C

50,037



Loading measurements L x W x H
BF 691 C 6.720 x 2.550 x 2.920

Standard equipment

- 6 cylinders, 139 kW engine
- Driver's seat and platform can be shifted to the sides, SideView System
- L.C.S. screed relief and traction increase system
- Individual control of hopper wings
- Load sensing material flow system
- 2 independent and reversible scraper belts, highly wear resistant plates
- 2 proportionally controlled and reversible augers made of low-wear casting, auger wings individually exchangeable
- Hydraulic auger height adjustment
- Proportional auger and scraper belt control, ultrasonic detectors
- Cleaning system with 8 m hose reel, pump and tank
- Hydraulic walk board adjustment (HSE/HSG)
- Tamper setting (850-1740 rpm) and vibration setting (200-3600 rpm)
- Fully automatic screed heating functional monitoring (gas and electric heating)
- Central lubrication system with HSG and HSE screeds
- Hydraulic screed adjustment for street driving
- Crawler track with PLC travel, control and braking system, 300 mm floor plates
- ECOMODE

Measurements

in mm	B	C	E	F	G	H	L	M	P	Q	R	Z
BF 691 C	3135	300	6720	478	3390	3740	560	2000	2550	2050	2925	1760

Technical data

Max. Production.....	t/hr	800
Diesel engine.....	Type	Deutz
Output (ISO 3046/1).....	kW (hp)	TCD2012L06 at 139 kW (189) at 2100 r.p.m.
Number of cylinders		6
Motor cooling		Water cooling
Crawler track.....	mm	3135x300
Working speed.....	m/min	0-26
Drive speed	km/h	5
Hopper volume	m ³	8.9
Scraper belt width.....	mm	380
Auger diameter	mm	400
Diesel tank capacity.....	l	250
Hydraulic tank volume	l	230
Screed type.....		HB
Screed compaction.....		Vibration + Tamper
Screed heating.....		Gas/Electric
Width of the basic screed	m	2.50-4.75
Max. placing width	m	9.20
Max. effective amplitude.....	mm	300
Weight of the basic screed.....	kg	4,300
Smoother plate width/thickness.....	mm	430/15
Straight crossfall	%	-3/+5
Operating weight.....	kg	19,200

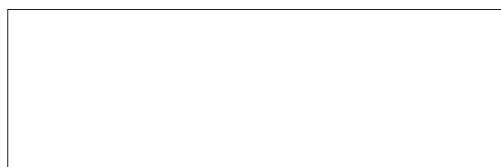
BOMAG BF 691 C

Max. Production.....	t/hr	800
Diesel engine.....	Type	Deutz
Output (ISO 3046/1).....	kW (hp)	TCD2012L06 at 139 kW (189) at 2100 r.p.m.
Number of cylinders		6
Motor cooling		Water cooling
Crawler track.....	mm	3135x300
Working speed.....	m/min	0-26
Drive speed	km/h	5
Hopper volume	m ³	8.9
Scraper belt width.....	mm	380
Auger diameter	mm	400
Diesel tank capacity.....	l	250
Hydraulic tank volume	l	230
Screed type.....		HB
Screed compaction.....		Vibration + Tamper
Screed heating.....		Gas/Electric
Width of the basic screed	m	2.50-4.75
Max. placing width	m	9.20
Max. effective amplitude.....	mm	300
Weight of the basic screed.....	kg	4,300
Smoother plate width/thickness.....	mm	430/15
Straight crossfall	%	-3/+5
Operating weight.....	kg	19,200

Technical modifications reserved. Machines may be shown with options.

Optional equipment

- Screed extensions for HS screed 250/750
- Screed extensions HB screed 350/700/1000/1240
- Levelling systems: Height and lateral sensing with ultrasonic or mechanical sensors.
- Xenon floodlight lighting, 4 spotlights
- Heatable side plates for HSE electric screed
- Reduction pads
- Exhaust system



PRE00107405

071209 Sa01

BOMAG
 Hellerwald
 D-56154 Boppard
 Postfach 5162
 D-56149 Boppard
 Tel. (0)6742 - 1000
 Fax (0)6742 - 3090

BOMAG
FAYAT GROUP