

BOMAG

FAYAT GROUP

Asphalt Paver

3313

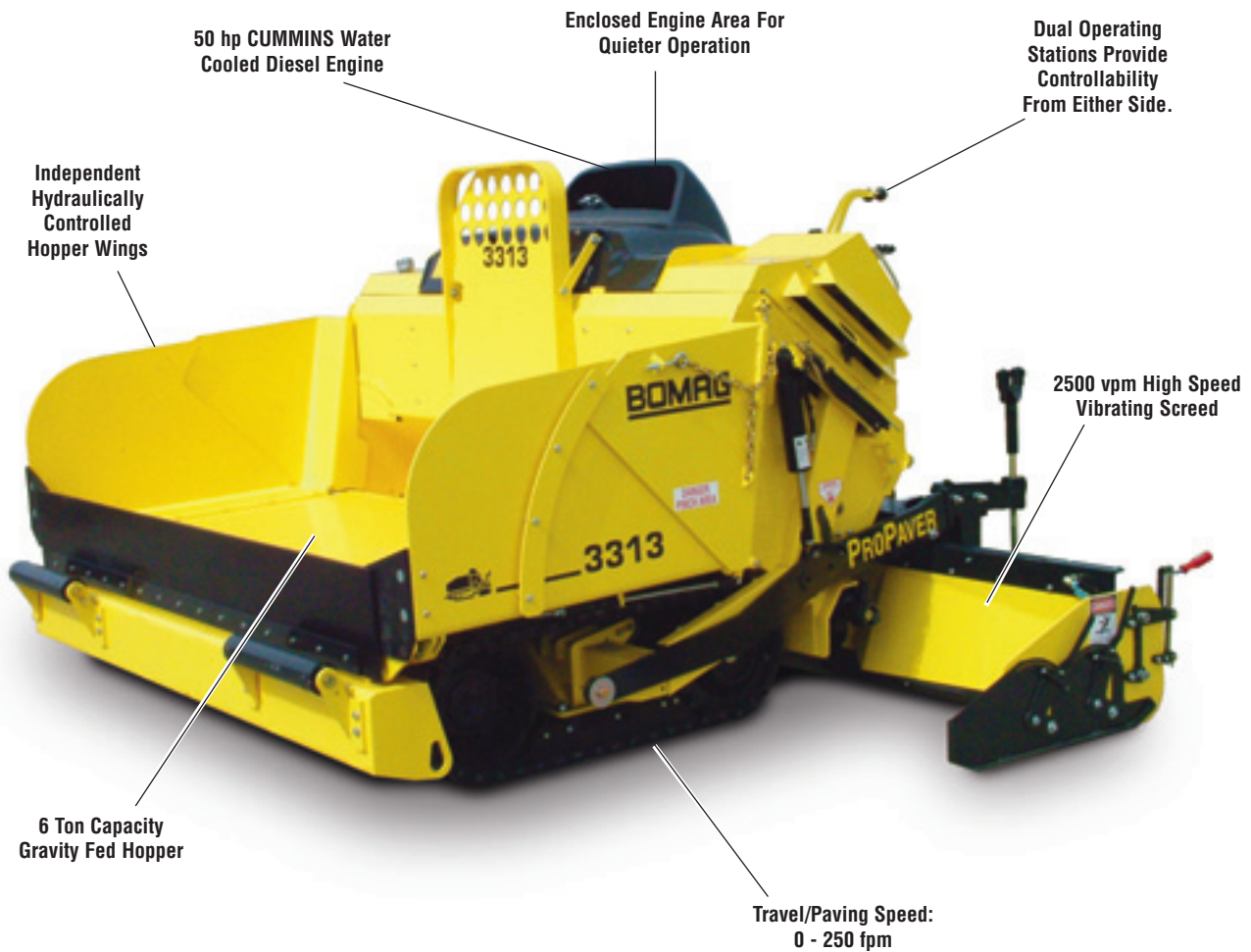


■ *Built To The Highest Standards To Meet And Exceed The Customer's Demands.*

KEY FEATURES

- High performing, fuel efficient 50hp CUMMINS water cooled diesel engine
- 8 - 13 foot paving width
- Full width floating screed, adjustable, vibrating and heated.
- 0 - 250 fpm travel & paving speed





■ *The BOMAG 3313 Paver has numerous key features to offer...*

With many of the features of the larger class pavers, the BOMAG 3313 raises the competitive bar.

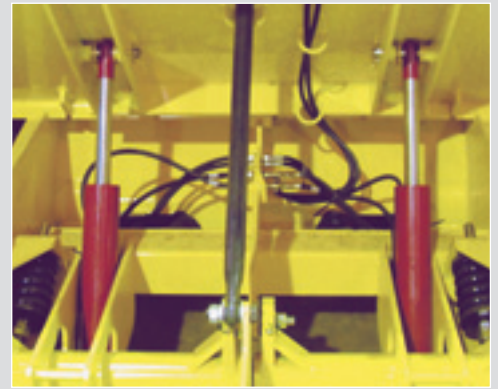
Incorporating innovative design and state-of-the-art manufacturing, the 3313 offers outstanding value and performance to the paving contractor.

■ **Applications:**

- Driveways
- Parking lots
- Asphalt repairs and resurfacing



Profile of the BOMAG 3313 Paver



Mechanism for elevating the hopper bed.

Lift mechanisms and full paving widths

8 TO 13 FOOT FULL WIDTH PAVING:

The 3313 Paver offers compaction and finishing of the entire width of the mat, not just on the main screed.

Screed wear plates are 400 Brinell hardness, and are bolt-on replaceable. The hydraulic screed extensions are single ratcheted, adjusting both the height and attack angle in one turn of the crank. Lower walk boards are also extendable.

HOPPER BED DESIGN:

High quality hopper lift mechanism. The hopper bed is elevated during the paving operation to dump asphalt through the gates to the screed.

The BOMAG 3313 Paver utilizes dual cylinders to equally elevate the deck without bending or deflection. This extends the life of a gravity fed paver.



The BOMAG 3313 paver offers 3/8 inch thick hydraulically actuated hopper wings.



BOMAG 3313 Paver Left Hand **Manual Hydraulic Controls**

3313 Controls:

- Mechanically actuated hydraulic control valves
- Controllability from both sides of machine
- Ease of operation



50 hp CUMMINS water cooled diesel engine.

With these features and many more, it's easy to see why this model maintains a high residual value while delivering lower lifetime operating costs.

Technical Specifications

3313

Shipping dimensions
in cubic feet (m³)

3313

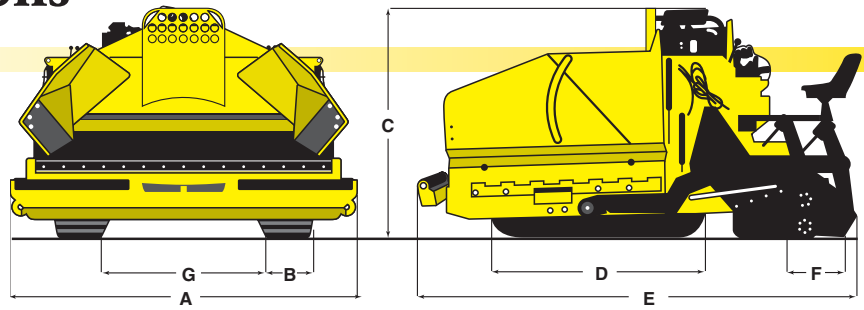
508 (14.4)

Standard Equipment

- 50 hp CUMMINS Water-Cooled Diesel Engine
- High Engine Water Temperature, Low Engine Oil Pressure Automatic Shutdown
- Hydrostatic Drive with Load Sensing Design
- Single Travel Speed
- Dual Operator's Stations
- Full Width Floating Screenshot, Adjustable, Vibratory and Propane Heated
- Hydraulic Screenshot Extensions with 1/4" Abrasion Resistant Wear Plates
- Hydraulic Shut-off Gates, 2 Each
- Washdown Spray System

Optional Equipment

- Screenshot Automation
- Power Depth Controls
- Urethane Track Pads
- Seat(s)
- Spraydown Hose Reel



Dimensions in inches (mm)

	A	B	C	D	E	F	G
3313	102 (2591)	16 (330)	78 (1981)	53 (1346)	110 (2794)	15 (381)	54 (1372)

Technical data

Weights

Operating Weight lbs (kg)

Dimensions

Length in (mm)
 Width (Transport) in (mm)
 Paving Width ft (m)
 Overall Height in (mm)
 Paving Depth in (mm)

Hopper

Capacity tons (tons)
 Wings
 Deck
 Hydraulic Cylinder Size in (mm)
 Number of Hydraulic Cylinders

Screenshot:

Standard ft (m)
 Type
 Crown / invert in (mm)
 Vibratory vpm

Speed:

Travel and Paving (Max) fpm (mpm)

Drive:

Engine Type
 Performance SAE J1349 hp (kW)
 Cooling
 Fuel

Service Capacities:

Fuel gal (l)
 Cooling gal (l)
 Hydraulic gal (l)
 Washdown gal (l)

BOMAG 3313

10000 (4536)

110 (3794)
 102 (2591)
 8 - 13 (2.4 - 4.0)
 78 (1981)
 0 - 6 (0 - 152)

6 (6.7)
 Hydraulic Actuated
 Dual Cylinders
 3 (76.2)
 2

8 - 13 (2.4 - 4.0)
 Full Float, Adjustable
 Vibrating & Heated
 2 / 2 (51 / 51)
 2500

0 - 250 (0 - 76.2)

CUMMINS
 50 (37)
 Water
 Diesel

16.4 (62.1)
 3 (11.4)
 13.7 (51.9)
 4.6 (17.4)

Technical modifications reserved. Machines may be shown with options.