



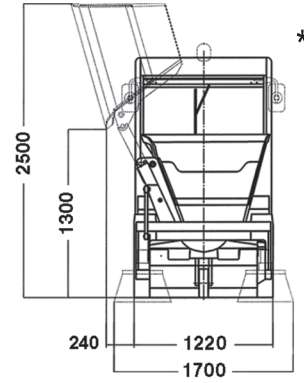
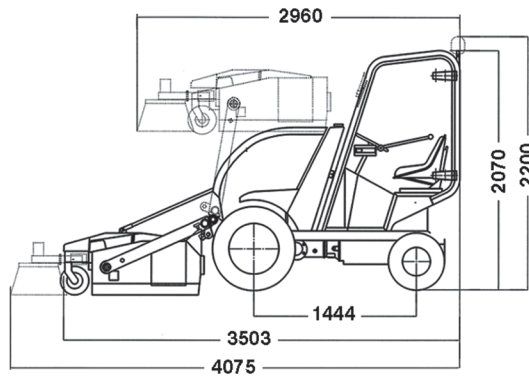
BD 120 ML
BD 120 ML X 4



BD 120 ML



www.ausa.com



TECHNICAL SPECIFICATIONS

| | | BD 120 ML | BD 120 ML x4 |
|---|-----------------------------|---|----------------------------------|
| Hopper capacity | | 400 l | |
| Sweeper attachment capacity | | 98 l | |
| Elevation and unloading of the sweeper attachment | | Hidraulic | |
| Hopper unloading height | | 1360 mm | |
| Engine | Diesel | KUBOTA D902 | |
| | Power s/DIN 6270B | 12,1 Kw / 16,5 CV (2500 rpm) | |
| | N° cylinders | 3 | |
| | Coolant | Water | |
| Traction | | 4x2 | 4x4 with automatic disconnection |
| Transmission | | Mechanical. 4 speed forward and 4 speed reverse through inverter | |
| Clutch | | Single disk, 180 mm in diameter. Mechanically activated | |
| Ignition | | Electric | |
| Speed (maximum) | | 24 | |
| Sweep width | | from 1600 to 1800 mm | |
| Recomended sweep speed | | 4 Km/h | |
| Central brush width | | 900 mm | |
| Central brush diameter | | 400 mm | |
| Side brush diameter | | 750 mm | |
| Unloaded weight (with full tanks) | | 1700 Kg | |
| Maximum slope | Under full load | 30% | |
| | Sweeping | 20 % | |
| Tyres | Front | 215 / 80R 16 | 215 / 80R 16 |
| | Rear | 20.5 x 80 - 10 | 23 x 8.5 - 12 |
| Steering | | Orbitrol hydraulic steering | |
| External turning circle | | 2900 mm | 3370 mm |
| Tank capacity | Fuel | 13.5 l | |
| | Hydraulic oil | 16.5 l | |
| | Water supply for sprinkling | 200 l | |
| Water pump | | Electric of 12.5 l/min | |
| Total sprinkling width | | 2000 mm | |
| Hand Brake | | Front axle hydraulic | |
| Parking brake | | Mechanical in front axle | |
| Hydraulic circuit | | Gear pump of 8 cc. Working pressure 130 bar | |
| STANDARD EQUIPMENT | | Ergonomic seat | |
| | | Seat belt | |
| | | Semi cabin ROPS/FOPS | |
| | | Front and rear windscreen with wipers | |
| | | Rotating beacon | |
| | | Rear mirrors | |
| | | Acoustic reverse indicator | |
| | | Mudguards | |
| OPTIONAL EQUIPMENT | | Soundproofed closed cabin with heater | |
| | | Lightning equipment (Front and rear lights) | |
| | | Self- filling shovel interchangeable with the sweeper attachment. Capacity: 70 l | |
| | | Curved snowplough blade with hydraulic tilting of +/-35 degrees (working width 1200 mm) | |

MKT 23003.03/04.2014

* Load or dimension data may change due to optional equipment

AUSA reserves the right to make any changes in the specifications without prior notice.