

NEW

540-200 | TELESCOPIC HANDLER



540-200 Telescopic Handler

Gross power: 74.2kW/100hp Lift capacity: 4000kg Lift height: 20m



PERFORMING PRODUCTIVELY

THE NEW 540-200 IS DESIGNED TO PROVIDE MAXIMUM PRODUCTIVITY ON SITE. FOR EXAMPLE, ITS HUGE 20-METRE LIFT HEIGHT IS MORE THAN A MATCH FOR CRANES AND ROTOS, MEANING YOU CAN POTENTIALLY SAVE THE TIME AND MONEY INVOLVED IN HIRING ADDITIONAL MACHINERY.

Innovative boom design

- 1 Formidable forward reach capability (200kg at 15.9m, 1500kg at 8.9m) means the 540-200 can reach across typical building foundations with ease.
- 2 Our 540-200 Loadall has a 5-piece boom design. This cleverly combines a hydraulic ram and chains to extend or retract all the sections proportionally in one fast, smooth movement. What's more, it's all operated from just one lever.
- 3 To maximise operator visibility, we've enclosed the 540-200's extension ram, chains and hoses inside its boom.
- 4 We fit a versatile, productive double-acting boom auxiliary as standard. With its built-in drain line, this can power many different attachments easily, including motorised units like winches.



The 540-200 Loadall offers fast cycle times, courtesy of its electro servo hydraulics and high-flow 110 l/min hydraulic pump. Expect fast and productive handling of loads at height.

This Loadall can lift and place 1500kg loads to a height of 20m; handling a pallet of bricks is easy.

JCB's innovative hydraulic regeneration system improves cycle times and reduces fuel consumption by diverting oil back to the rams while the arm is lowering.

Our flow-sharing hydraulic system, which proportionally splits flow to different services – this means the boom can be lifted and extended simultaneously.



2

JCB's 4-speed powershift transmission is perfectly matched to our 74kW and 85kW engines for maximum torque at low revs and, in turn, ultimate productivity.

On-site performance

Excellent manoeuvrability and quick travel times are part of the package; a compact wheelbase and large steering lock angles (like our smaller 17m machine) provide a tight turning circle.

The 540-200 Loadall has three selectable steer modes. There's two wheel steer, which is ideal for travelling at high speed on the road; four-wheel steer for working in tight spaces; and crab steer for manoeuvring close to walls and buildings.

The 540-200 can be used in a variety of conditions and applications because our sway chassis keeps it level on uneven ground.

JCB's unique clear view Q-fit fork carriage enhances visibility, while our side shifting forks can handle all sorts of loads quickly and easily.

The JCB 540-200 Loadall is a stable work platform; its stabiliser legs have a wide spread so that operator confidence and load capacity is maximised throughout the lift envelope.



MADE TO LAST

HANDLING LOADS ALL DAY LONG PLACES HUGE DEMANDS ON MACHINERY, WHICH IS WHY THE JCB 540-200 IS DESIGNED TO BE SUPREMELY ROBUST. BUT ITS STRENGTH DOESN'T HINDER ITS PERFORMANCE; OUR REVOLUTIONARY NEW BOOM PROVIDES OPTIMUM HANDLING AND DURABILITY WITHOUT EXCESS BULK.

Proven quality

1 JCB's precision machining provides high tolerances and accurate location of pins and bushes.

2 Our finite element analysis and rig testing processes ensure the machine's structural strength and durability. Cold cell testing guarantees starting performance down to -20°C.

3 We use state-of-the-art manufacturing processes like robot machining, precision paint technology and innovative assembly techniques to achieve the very highest levels of quality.

Designed for hard work

4 For ultimate strength and durability, there are large boom overlaps of up to 1.4m.

5 We've mounted the boom low in the chassis to create an extremely rigid structure and maximum over-the-shoulder visibility.

6 The boom sections on this Loadall are made from two U-shaped high strength steel pressings that are longitudinally welded to each other along the neutral axis.

7 Overall structural strength on the 540-200 is excellent with the use of a supporting boom lift ram, improved still further by the keyhole castings.

JCB's DIESELMAX engine is tried and trusted. Specifically designed for off-highway machines, there are 200,000 DIESELMAX units in service around the world, having completed over 600 million hours.



8 The 540-200's one-piece fully welded chassis maximises strength and minimises weight.

9 The new improved robust exterior top door slam latch means you can close the upper door from outside.

Added protection

10 To keep the rear light units from damage, they can fold up and out of the way.

11 For increased site damage protection, the 540-200's side engine bonnet is recessed.

12 The tilt ram on a 540-200 Loadall is out of harm's way, underslung beneath the boom nose.

13 The boom hoses are securely routed internally within a flexible guide. This keeps them under control during extension and retraction.



SAFE, COMFORTABLE, SERVICEABLE

JCB Adaptive Load Control automatically controls hydraulic operation to help maintain the longitudinal stability of your 540-200.

IN ORDER TO ACHIEVE ULTIMATE PRODUCTIVITY, YOU NEED A TELESCOPIC HANDLER THAT'S SAFE, ERGONOMIC AND EASY TO SERVICE. THE NEW 540-200 IS ALL OF THESE THINGS. IT'S DESIGNED TO PROVIDE PROTECTION FOR BOTH MACHINE AND OPERATOR, AS WELL AS ALL-DAY COMFORT AND MAXIMUM UPTIME.

Safety and security

- 1 We've fitted a reversing alarm to the new 540-200 as standard.
- 2 Side and rear view mirrors provide all-round visibility and safety compliance.
- 3 To guard against hose failure, we fit Hose Burst Check Valves (HBCVs) to the rams.
- 4 The 540-200 is protected from instability by angle position sensors on the boom. Chassis sway is isolated from use above a 10° boom elevation, while stabilisers are isolated when boom elevation reaches 45°.
- 5 Ergonomically positioned grab handles and two cab steps mean that operators can get in and out of a 540-200 quickly and easily, all the while keeping three points of contact.
- 6 Optional front and rear work lights make for excellent visibility, day or night.



Comfort and ease of use

7 To ensure operators are comfy – and therefore productive – the 540-200 has a 3-speed heater system with optional air conditioning.



7

8 The cabin's backlit switches are easily visible in light or darkness.



8

9 For quick, easy, precise control, we've fitted the 540-200 with a single lever servo control and proportional auxiliary.



9

10 To maximise comfort, the 540-200's steering column can be tilted to suit the operator (telescopic adjustment is optional).



10



11

Added protection

11 The new 540-200's diesel tank is easy to access and fill from ground level, and it has an integral pre-filter in the filler neck to cope with dirty fuel.



10



12

12 You can easily get to the battery without specialist tools by simply opening a lockable cover with the ignition key.

13 The filters on this Loadall (engine oil, hydraulic oil and fuel) are centrally located for fast, easy servicing.



13

All of the usual daily checks can be carried out from ground level.

14 JCB uses a dry lubricant on the wear pads of the 540-200. This means the service interval is 500hrs; on typical competitor machines, who use wet lubrication, it's just 250hrs.

Our standard-fit tinted cab glass reflects 30% of the sun's energy – this blocks out potentially distracting glare.



It's easy to adjust the boom chain on a 540-200. The whole task can be done from one location at the front, and there's no need to remove any panels or use any special tools.

SERVICE INTERVALS	
Engine oil and oil filter	Every 500 hours
Hydraulic oil	Every 2000 hours
Hydraulic oil filter	Every 1000 hours

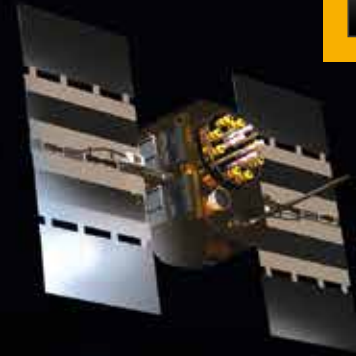
14

LIVELINK, WORK SMARTER

LIVELINK IS AN INNOVATIVE SOFTWARE SYSTEM THAT LETS YOU MANAGE JCB MACHINES REMOTELY – ONLINE, BY EMAIL OR BY MOBILE PHONE. ACCESS EVERYTHING FROM MACHINE ALERTS TO HISTORY INFORMATION, WITH ALL DATA STORED AT A SECURE CENTRE.

Productivity and cost benefits

By providing information like idle time monitoring and machine fuel consumption, JCB Livelink helps reduce your fuel usage, saving money and improving productivity. Machine location information can help improve efficiency and perhaps even reduce insurance costs.



Maintenance benefits

Manage machine maintenance easily – accurate hours monitoring and service alerts improve maintenance planning, while real-time location data helps you manage your fleet. Critical machine alerts and maintenance history records are also available.



Security benefits

Livelink's real-time geofencing alerts tell you when machines move out of predetermined zones, and real-time curfew alerts inform you of unauthorised usage. Further benefits include real-time location information, advanced ECU matching (pairs Livelink with the immobiliser or ECU).



VALUE ADDED

JCB'S WORLDWIDE CUSTOMER SUPPORT IS FIRST CLASS. WHATEVER YOU NEED AND WHEREVER YOU ARE, WE'LL BE AVAILABLE QUICKLY AND EFFICIENTLY TO HELP MAKE SURE YOUR MACHINERY IS PERFORMING TO ITS FULL POTENTIAL.



1

1 Our Technical Support Service provides instant access to factory expertise, day or night, while our Finance and Insurance teams are always on hand to provide fast, flexible, competitive quotes.

2 The global network of JCB Parts Centres is another model of efficiency; with 15 regional bases, we can deliver around 95% of all parts anywhere in the world within 24 hours. Our genuine JCB parts are designed to work in perfect harmony with your machine for optimum performance and productivity.

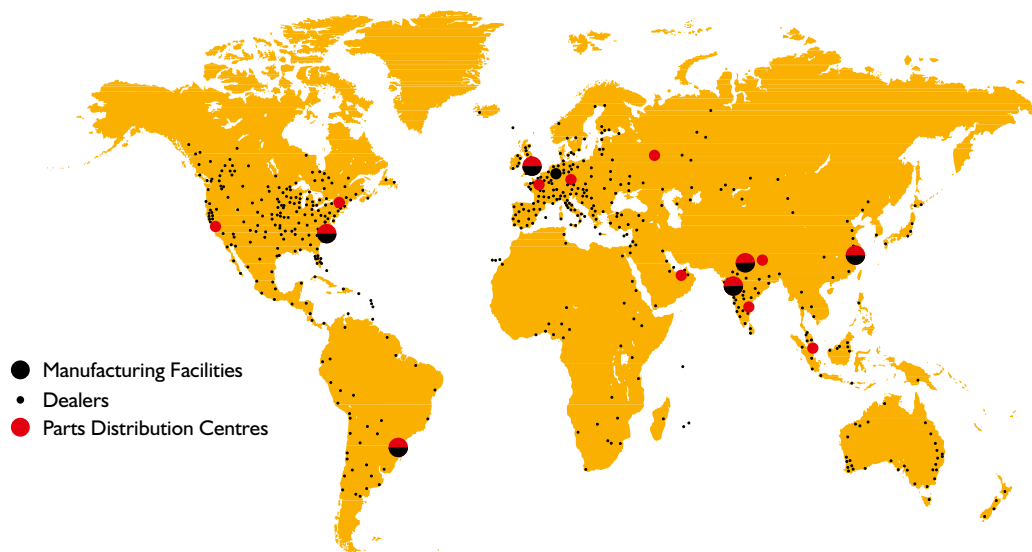


2

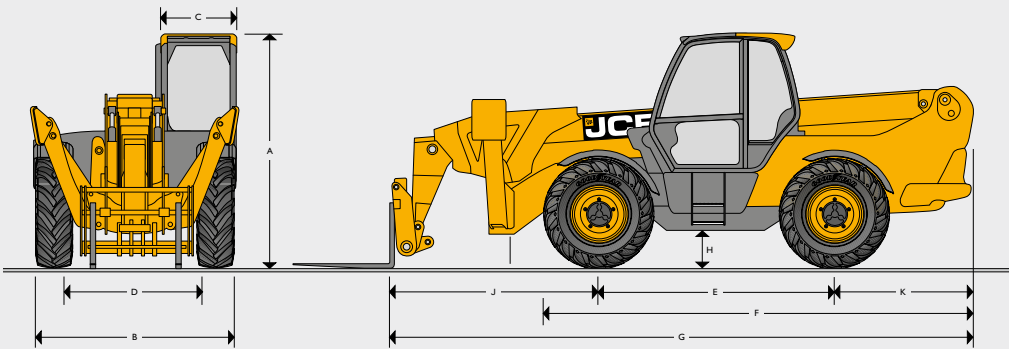
3 JCB Assetcare offers comprehensive extended warranties and service agreements, as well as service-only or repair and maintenance contracts. Irrespective of what you opt for, our maintenance teams around the world charge competitive labour rates, and offer non-obligation quotations as well as fast, efficient insurance repair work.



3



STATIC DIMENSIONS



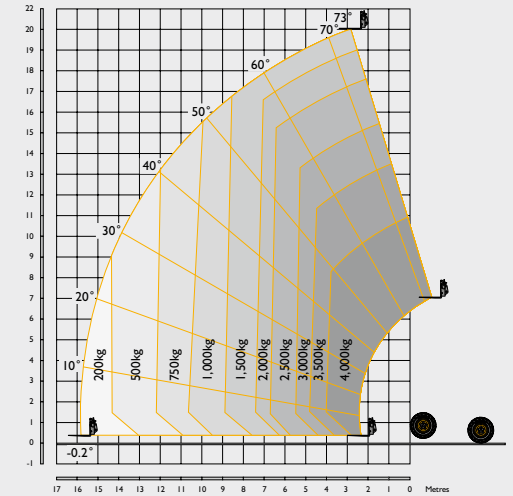
A	Overall height	m	2.72
B	Overall width (over tyres)*	m	2.44
C	Inside width of cab	m	0.94
D	Front track	m	1.97
E	Wheelbase	m	2.75
F	Overall length to front tyres	m	5.09
G	Overall length to front carriage	m	6.81
H	Ground clearance	m	0.41
J	Front wheel centre to carriage	m	2.39
K	Rear wheel centre to rear face	m	1.67
	Overall width with stabilisers fully deployed	m	3.82
	Outside turn radius (over tyres)	m	4.1
	Carriage roll back angle	degrees	39
	Carriage dump angle	degrees	8.8
	Weight	kg	12985
	Tyres		17.5-25

*Dependant upon tyre specified.

LIFT PERFORMANCE

With stabiliser extended

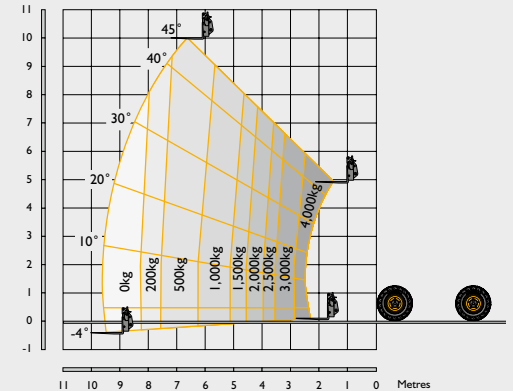
Maximum lift capacity	kg	4000
Lift capacity to full height	kg	1500
Lift capacity at full reach	kg	200
Lift height	m	20
Reach at maximum lift height	m	2.82
Maximum forward reach	m	15.9
Reach with 1 tonne load	m	10.65
Placing height	m	19.1



LIFT PERFORMANCE

With stabiliser retracted

Maximum lift capacity	kg	4000
Lift capacity to maximum lift height	kg	500
Lift capacity at full reach	kg	0
Maximum lift height	m	10.27
Reach at maximum lift height	m	6.42
Maximum forward reach	m	9.63
Reach with 1 tonne load	m	6.25
Placing height	m	9.1



Chassis Levelling (Sway)
With stabilisers retracted (Sway angle ±9°)

SERVICE CAPACITIES		
Fuel tank	litres	146
Hydraulic tank	litres	150
Coolant	litres	23

HYDRAULICS		
Operating system pressure	bar	260
Flow at system pressure @ 2200rpm	ltr/min	140
Hydraulic Cycle Times		Seconds
Lift		17.3
Lower		15.9
Extend		28.1
Retract		22.7
Bucket dump		6.1
Bucket crowd		5.9

ENGINE			
	Standard	Standard	Option
Engine standard	Stage II	Stage III	Stage III
Manufacturer	JCB	JCB	JCB
Displacement	4.4	4.4	4.4
No. of cylinders	4	4	4
Bore size	103	103	103
Stroke	132	132	132
Aspiration	Turbo	Turbocharged cooled	Turbocharged cooled
Power rating			
Power @ 2200rpm	74.2 (100)	74.2 (100)	85 (114)
Torque rating			
Torque @ 1300rpm	425	440	440

TRANSMISSION	<p>JCB powershift transmission incorporating torque converter, bevel box and a 4 speed powershift gearbox in one resiliently mounted unit.</p> <p>A combined steering column mounted switch incorporating directional control and 4 forward and 4 reverse powershift gears.</p> <p>Travel speed 29kph.</p> <p>Front and rear drive axles: JCB epicyclic hub reduction drive/steer axles with Max-Trac torque proportioning differentials.</p>
BRAKES	<p>Service brakes: Servo-assisted, hydraulically activated, self-adjusting, oil-immersed multi-disc type on front and rear axle.</p> <p>Parking brake: Hand operated disc brake on output of gearbox.</p>
BOOM AND CARRIAGE	JCB clearview Q-fit self-levelling carriage with lever operated pin locking accepts pallet forks and a wide range of attachments.
ELECTRICS	12 v negative earth. 95 AH battery. 95 amp alternator. Full road lighting. Reversing light. Direction indicators. Hazard warning. Reverse alarm.
CAB	<p>Quiet safe and comfortable cab conforms to ROPS ISO 3471 and FOPS ISO 3449. Tinted glass all round. Laminated roof screen. Roof bars, front, rear and roof screen wash/wipe and heater/screen demister. Opening rear window. Audio-visual warning system for coolant temperature, engine oil pressure, air cleaner, battery charge, transmission oil temperature and pressure, water in fuel. Hourmeter, road speed indicator, engine temperature, fuel gauge and clock. Servo joystick hydraulic control lever. Adjustable steer column with stalk bar powershift change and forward reverse shuttle. Throttle and brake pedal. Adjustable suspension seat with adjacent park brake. Automatic eye level audio-visual load moment indicator warning system receiving a signal from a load sensor on the rear axle. This system continuously monitors the machine's forward stability and leaves the operator in control at all times. Fitted with levelling inclinometer, plus indicator lamps to show when the stabilisers are on firm ground. Operator presence switch in seat.</p> <p>*Adaptive Load Control for EU territories conforms to EN15000. *Complies to the latest visibility legislation EN15830 for EU territories.</p>
STEERING	Hydrostatic power steering. Three steer mode options: front wheel steer; all wheel steer; crab steer: operated from in the cab by a selection switch.
OPTIONS AND ACCESSORIES	Options: Front and rear working lights, rotating flashing beacon, fire extinguisher, traction and industrial tyres, electrical 2/4WD select, windscreen and roof guard, air suspension seat, roof and front screen blind, radio kit, air conditioning, sideshift, reversing fan.



540-200 Telescopic Handler

Gross power: 74.2kW/100hp

Lift capacity: 4000kg

Lift height: 20m

Your nearest JCB dealer