

KOMATSU®

PC70-8

HORSEPOWER
Gross: 50.7 kW 68 HP / 1950 min⁻¹
Net: 48.5 kW 65 HP / 1950 min⁻¹

OPERATING WEIGHT
6580 kg

BUCKET CAPACITY
0.30-0.39m³

PC
70

COMPACT
HYDRAULIC EXCAVATOR



Photos may include optional equipment.

www.Komatsu.com

Printed in Japan 201208 IP.As

KOMATSU®

CEN00471-01

Materials and specifications are subject to change without notice.
KOMATSU is a trademark of Komatsu Ltd. Japan.

WALK-AROUND

HORSEPOWER
Gross: 50.7 kW 68 HP / 1950 min⁻¹
Net: 48.5 kW 65 HP / 1950 min⁻¹

OPERATING WEIGHT
6580 kg

BUCKET CAPACITY
0.30 – 0.39 m³

Ecology and Economy Features

- Low fuel consumption
- Low emission engine
- Selectable working modes
- Auto-decelerator to minimize fuel consumption
- ECO-gauge that assists energy-saving operations
- Extended idling caution for fuel conservation
- Closed-center Load Sensing System (CLSS)

See pages 4 and 5.

Large Comfortable Cab

- Low-noise cab
- Excellent visibility
- Wide spacious cab
- Automatic air conditioner

See page 6.

Large LCD Color Monitor

- Easy-to-see and use 7" large multi-function color monitor
- EMMS (Equipment Management Monitoring System)

See page 7.

Easy Maintenance and Durability

- Wide-open cover and optimum layout of components enable to do easy maintenance
- Side-by-side cooling facilities
- Easy access to engine-oil filter, fuel filter and fuel drain valve
- Equip fuel pre-filter (with water separator)
- Long-life oil and filter
- Easy to clean air conditioner filter
- Air cleaner with double element
- Large capacity tool box
- Steel plate for all exterior parts
- Large carrier rollers
- Revolving frame with undercover
- Durable travel motor
- Reinforced revolving frame

See pages 8 and 9.



ECOLOGY & ECONOMY FEATURES



Low Fuel Consumption

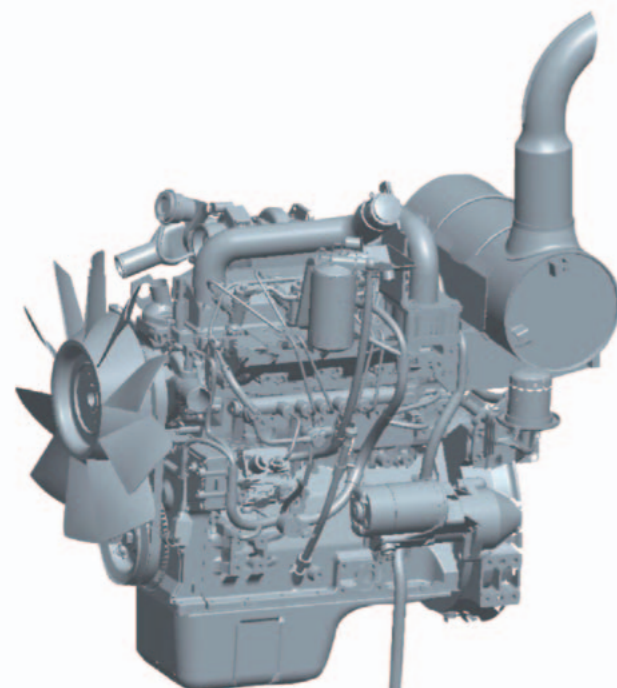
Komatsu SAA4D95LE-5 is low fuel consumption by total control of the engine, hydraulic and electronic system.

Newly Designed Engine with Turbocharger

- Benefit 1** Compact and lightweight engine with high power.
- Benefit 2** Thermal efficiency by better combustion conditions.
- Benefit 3** Minimal power drop at high altitude.

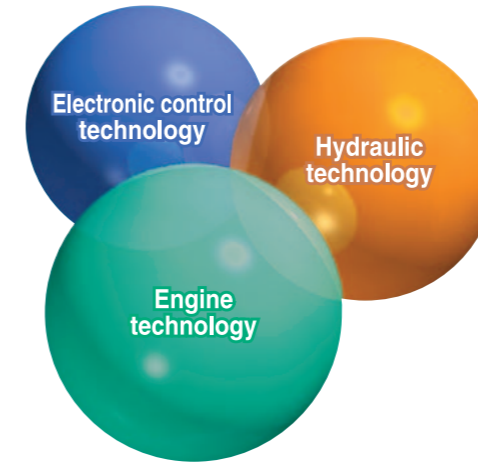
PC70-8

**48.5kW/1950min⁻¹
(65HP/1950min⁻¹)**



Low Emission Engine

The newly-developed Komatsu engine enables NOx emissions to be significantly reduced. This engine is EPA Tier 3 and EU Stage 3A emissions certified, without sacrificing power or machine productivity.



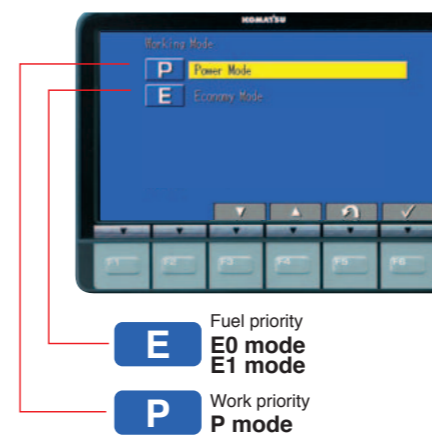
Selectable Working Modes

Two established work modes are further improved.

P mode- Power mode gives priority to work, while maintaining fast equipment speed and maximum production and power.

E mode- Economy mode reduces fuel consumption. Speed of work equipment is almost same as P mode for light duty work.

Operator can select Power or Economy mode using a one-touch operation on the monitor panel depending on work load. In addition, operator can select E0 or E1 mode within E mode depending on work load.



Auto-decelerator to Minimize Fuel Consumption

Engine speed automatically slows down when all control levers are set in neutral.

ECO-gauge that Assists Energy-saving Operations

The ECO-gauge on the right side of the multi-function color monitor provides environment-friendly energy-saving operation. Focus on operation in the green range allows reduction of CO₂ emissions and efficient fuel consumption.



Extended Idling Caution for Fuel Conservation

To prevent unnecessary fuel consumption, an idling caution is displayed on the monitor, if the engine idles for 5 minutes or more.



Closed-center Load Sensing System (CLSS)

Due to Komatsu's excellent hydraulics tuning technology, the machine satisfies both requests for powerful operation and fine controllability. Operator can control at will and can work efficiently.



WORKING ENVIRONMENT



Large LCD Color Monitor
A large user-friendly color monitor enables safe, accurate and smooth work. Improved screen visibility is achieved by the use of TFT liquid crystal display that can easily be read at various angles and lighting conditions. The switches are simple and easy to operate. Industry first function keys facilitate multi-function operations. Displays data in 12 languages to globally support operators around the world.

TFT : Thin Film Transistor
LCD : Liquid Crystal Display

Indicators

- 1 Clock
- 2 Auto-decelerator
- 3 Working mode
- 4 Travel speed
- 5 Engine water temperature gauge
- 6 Hydraulic oil temperature gauge
- 7 Fuel gauge
- 8 ECO-gauge
- 9 Function switches menu

Basic operation switches

- 1 Auto-decelerator
- 2 Working mode selector
- 3 Traveling selector
- 4 Buzzer cancel
- 5 Wiper
- 6 Windshield washer

Low-noise Cab

Cab is highly rigid and has excellent sound absorption ability. Improvement of noise source reduction and use of low noise engine, hydraulic equipment, and air conditioner allow this machine to generate a low level of noise.

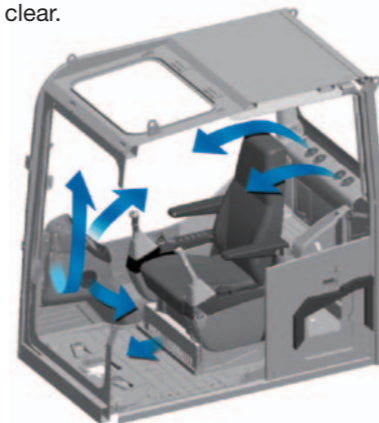
Wide Spacious Cab

Newly designed large cab provides roomy work space and wide legroom. In addition, large operator's seat has a fore-and-aft sliding and a reclining function.



Automatic Air Conditioner

The automatic air conditioner has a bi-level control function to keep cool and warm respectively. This improved air flow function keeps the inside of the cab comfortable from top to bottom throughout the year. Defroster function keeps cab glass clear.



EMMS (Equipment Management Monitoring System)

Monitor function

Controller monitors engine oil level, coolant temperature, battery charge and air clogging, etc. If the controller finds any abnormality, it is displayed on the LCD.



Maintenance function

The monitor informs replacement time of oil and filters on the LCD when the replacement interval is reached.



Trouble data memory function

Monitor stores abnormalities for effective troubleshooting.

Excellent Visibility

Spacious cab has wide glass area to provide the operator with excellent visibility.

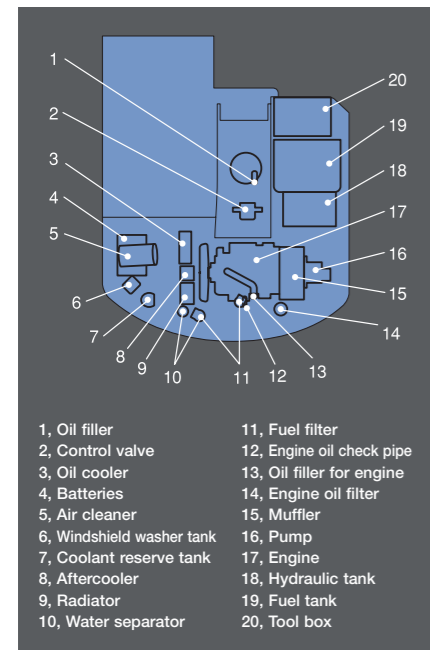


MAINTENANCE FEATURES



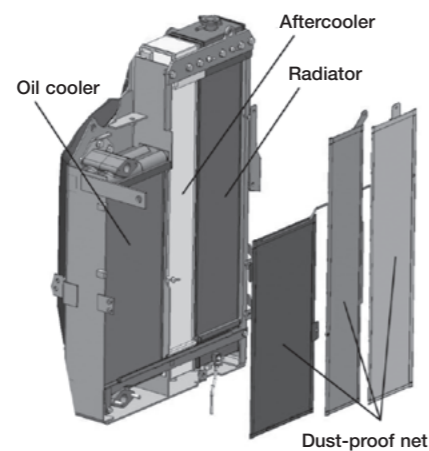
Easy Maintenance

Operator can open all covers wide. It is very easy to access key components and filters. Also it is very easy to check oil.



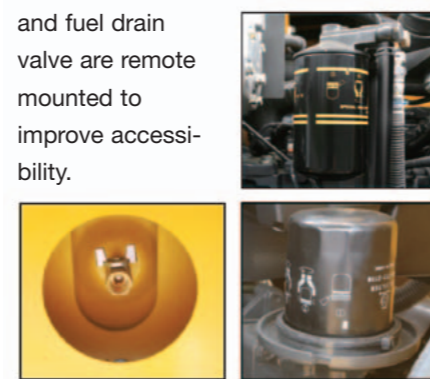
Side-by-side Cooling

Since radiator, aftercooler and oil cooler are arranged side-by-side, it is easy to clean, remove and install them. Radiator, aftercooler, and oil cooler made of aluminum have high cooling efficiency and are easily recycle.



Easy Access to Engine Oil Filter, Engine Main Fuel Filter and Fuel Drain Valve

Engine oil filter, engine main fuel filter and fuel drain valve are remote mounted to improve accessibility.



Equip Fuel Pre-filter (with Water Separator)

Removes water and contaminants in the fuel to prevent fuel problems. (with built-in priming pump)



Long-life Oil and Filter

Uses high-performance filtering materials and long-life oil. Extends the oil and filter replacement interval.



Hydraulic oil filter (Eco-white element)

Engine oil & Engine oil filter	every 500 hours
Hydraulic oil	every 5000 hours
Hydraulic oil filter	every 1000 hours

Easy to Clean Air Conditioner Filter

The air conditioner filter is removed and installed without the use of tools facilitating filter maintenance.



Air Cleaner with Double Element

Air cleaner and double element prevent dust from entering the system.



Large Capacity Tool Box

Tool box is located on right side of cab. Capacity is large to store a tool kit and a pail can.



Steel Plate for All Exterior Parts

Exterior parts are easy to repair.



Large Carrier Rollers

Outside diameter is 118 mm. Large rollers provide longer life.



Revolving Frame with Undercover

Seven undercovers protect inner components from objects thrust up from the bottom.



Durable Travel Motor

This travel motor uses planetary gear. Structure is simple and reliable.

Reinforced Revolving Frame

High reliability, due to thickening plate significantly.

STANDARD ACCESSORIES, OPTIONS, SPECIAL MODEL

STANDARD EQUIPMENT

- Air cleaner (double elements)
- AM/FM radio
- Ashtray
- Auto-decelerator
- Automatic air conditioner
- Automatic two-speed travel control
- Beverage holder
- Boom holding valve
- Cigarette lighter
- Closed-center system with load-sensing valve and pressure-compensated valve
- Cushion at end of boom stroke
- Defroster
- Emergency escape hammer
- Fan guard
- Footrest
- Fuel control dial
- Fuel pre-filter (with water separator)
- Grease gun holder
- Hand rail
- Komatsu SAA4D95LE-5 engine
- Large roof window
- Large sheet
- Large tool box
- Lock lever
- Magazine rack
- PPC hydraulic control system
- Radiator and oil cooler dust net
- Rear view mirror (right side of machine)
- Room light
- Side-by-side cooling
- Sliding window in the left side of cab
- Swing lock brake
- Thermal guard
- Washable floor mat
- Wave fin radiator
- Wiper with washer
- Working lights
- Working mode selection system
- 7 inch TFT LCD Monitor



Large roof window



Sliding window in the left side



Wiper with washer



Hand rail



Cigarette lighter



Ashtray

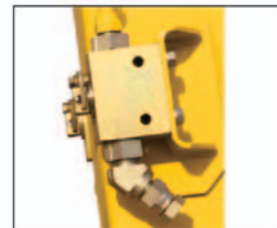


Magazine rack and Beverage holder

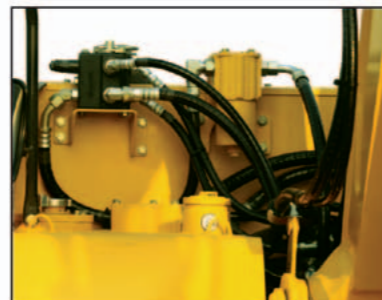


AM/FM radio

AUXILIARY HYDRAULICS WITH SELECTOR VALVE



Stop valve



Selector valve & additional filter
Selector valve for breaker and crusher

HEAVY-DUTY SPECIFICATION

Operating weight 6695 kg
Bucket capacity 0.37 m³ reinforced bucket



Reinforced arm



Reinforced bucket



Reinforced revolving guard

BLADE SPECIFICATION

Operating weight 7180 kg
Blade width × height 2260 mm × 470 mm
Blade max. lift above ground 410 mm
Blade max. drop below ground 270 mm



OPTIONAL EQUIPMENT

- Head light
- Rear mirror (left side of machine)
- Seat belt
- Service valve
- Track roller guard

SPECIFICATIONS

ENGINE

Model Komatsu SAA4D95LE-5
 Type Water-cooled, 4-cycle, direct injection
 Aspiration Turbocharged, and air-to-air aftercooled
 Number of cylinders 4
 Bore 95 mm
 Stroke 115 mm
 Piston displacement 3.26 L
 Horsepower:
 SAE J1995 Gross 50.7 kW 68 HP
 ISO 9249 / SAE J1349 Net 48.5 kW 65 HP
 Rated rpm 1950 min⁻¹
 Fan drive method for radiator cooling Mechanical
 Governor All-speed control, electronic

HYDRAULICS

Type Closed-center system with load sensing valves and pressure-compensated valves
 Main pump:
 Type Variable displacement, axial piston
 Maximum flow 172 L / min
 Hydraulic motors:
 Travel Variable displacement, axial piston
 Swing Fixed displacement, axial piston
 Relief valve setting:
 Implement circuits 24.5 MPa 250 kg/cm²
 Travel circuit 24.5 MPa 250 kg/cm²
 Swing circuit 21.1 MPa 215 kg/cm²
 Pilot circuit 3.1 MPa 32 kg/cm²

Hydraulic cylinders:
 (Number of cylinders – bore x stroke x rod diameter)
 Boom 1–115 mm x 840 mm x 65 mm
 Arm 1–100 mm x 865 mm x 60 mm
 Bucket 1–90 mm x 710 mm x 55 mm

DRIVES AND BRAKES

Steering control Two levers with pedals
 Drive method Fully Hydrostatic
 Hydraulic motors Variable, displacement, axial piston motors
 Maximum drawbar pull 56.4 kN 5750 kg
 Maximum travel speed: High 4.5 km/h
 Low 2.8 km/h
 Service brake Hydraulic lock
 Parking brake Hydraulic release lock

SWING SYSTEM

Drive method Hydraulic motor
 Swing reduction Planetary gear
 Swing circle lubrication Grease-bathed
 Swing lock Hydraulic lock
 Swing speed 11 min⁻¹

UNDERCARRIAGE

Track frame Box-section
 Shoe type Triple grouser shoe
 Track adjuster Hydraulic
 Number of shoes (each side) 38
 Number of carrier rollers (each side) 1
 Number of track rollers (each side) 5

COOLANT AND LUBRICANT CAPACITY (REFILLING)

Fuel tank 130 L
 Coolant 10 L
 Engine 11.5 L
 Final drive, each side 1.1 L
 Hydraulic tank 61 L

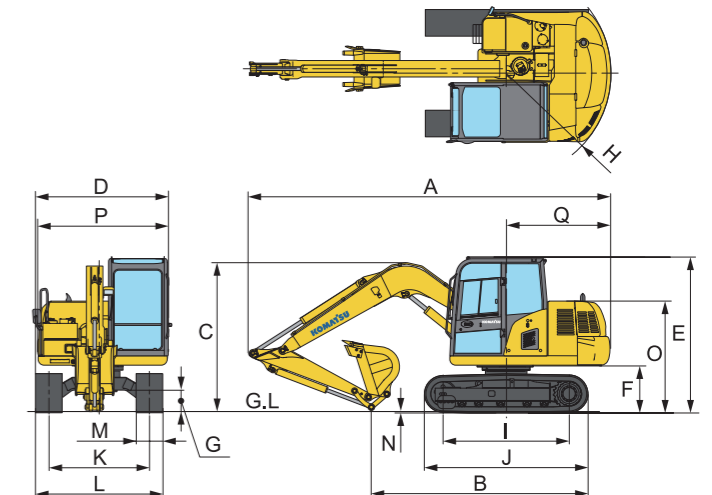
OPERATING WEIGHT (APPROXIMATE)

Operating weight including boom, arm, bucket with 0.30 m³ capacity, rated capacity of lubricants, coolant, operator, full fuel tank, and standard equipment.

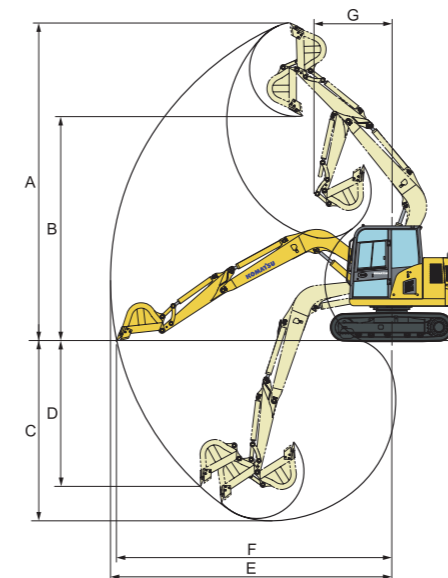
Shoes		Operating Weight	Ground Pressure
selection	width		
Steel shoe	450 mm	6580 kg	28.4 kPa 0.29 kg/cm ²

DIMENSIONS

A	Overall length	6080 mm
B	Length on ground (transport)	3655 mm
C	Overall height (to top of boom)	2500 mm
D	Overall width	2225 mm
E	Overall height (to top of cab)	2620 mm
F	Ground clearance, counterweight	750 mm
G	Ground clearance (minimum)	350 mm
H	Tail swing radius	1750 mm
I	Track length on ground	2130 mm
J	Track length	2765 mm
K	Track gauge	1700 mm
L	Width of crawler	2150 mm
M	Shoe width	450 mm
N	Grouser height	20 mm
O	Machine cab height	1865 mm
P	Machine cab width	2190 mm
Q	Distance, swing center to rear end	1750 mm



WORKING RANGE



A	Max. digging height	7150 mm
B	Max. dumping height	5015 mm
C	Max. digging depth	4100 mm
D	Max. vertical wall digging depth	3505 mm
E	Max. digging reach	6360 mm
F	Max. digging reach at ground level	6220 mm
G	Min. swing radius	1750 mm
	Bucket digging force	54.8 kN 5590 kg
	Arm crowd force	38.2 kN 3900 kg
	STD Bucket	0.30 m ³

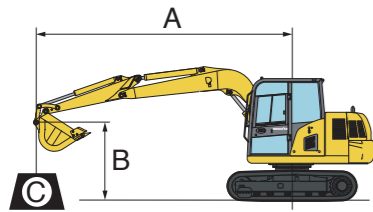
Bucket capacity	Width		Number of Teeth
	Without side cutters	With side cutters	
0.30 m ³	655 mm	750 mm	4
0.37 m ³	815 mm	925 mm	5
0.37 m ³	680 mm	775 mm	4
0.39 m ³	815 mm	925 mm	5

Use application	Working conditions	Bucket		Arm		Revoframe	
		Capacity	Width	STD	strengthened	STD	strengthened
General digging	Sand, gravel, clay / trenching and loading	0.30 m ³	655 mm	○	(○)	○	(○)
		0.37 m ³	815 mm	○	(○)	○	(○)
Light-duty digging	Dry, loose soil, mud / trenching and loading	0.39 m ³	815 mm	○	×	○	×
		0.37 m ³	680 mm	×	○	×	○

○ : Standard (○) : Selectable × : Not available



LIFTING CAPACITY WITH LIFTING MODE



- A: Reach from swing center
- B: Bucket hook height
- C: Lifting capacity
- Cf: Rating over front
- Cs: Rating over side
- ⊕: Rating at maximum reach

PC70-8 STD SPEC											
Arm: 1650 mm Bucket: 0.30 m³ SAE heaped Shoe width: 450 mm Without blade Unit : kg											
B	A	⊕ MAX		5.0 m		4.0 m		3.0 m		2.0 m	
		Cf	Cs	Cf	Cs	Cf	Cs	Cf	Cs	Cf	Cs
4.0 m		1380 kg	1010 kg			*1400 kg	1320 kg	*1540 kg	*1540 kg		
3.0 m		1140 kg	830 kg	1150 kg	830 kg	*1230 kg	*1230 kg	*1910 kg	*1910 kg	*2770 kg	*2770 kg
2.0 m		1040 kg	750 kg	1140 kg	820 kg	1690 kg	1230 kg	*2390 kg	1980 kg		
1.0 m		1010 kg	720 kg	1110 kg	800 kg	1620 kg	1170 kg	2600 kg	1850 kg		
0.0 m		1050 kg	750 kg	1090 kg	780 kg	1580 kg	1130 kg	2520 kg	1780 kg		
-1.0 m		1190 kg	850 kg			1560 kg	1120 kg	2510 kg	1760 kg	*3740 kg	3540 kg
-2.0 m		1530 kg	1100 kg			*1510 kg	1130 kg	*2240 kg	1790 kg	*3110 kg	*3110 kg

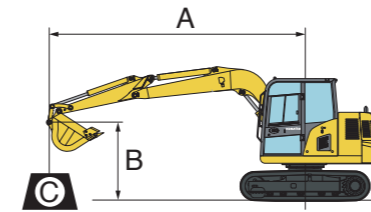
PC70-8 STD with BLADE SPEC											
Arm: 1650 mm Bucket: 0.30 m³ SAE heaped Shoe width: 450 mm With blade (Blade on ground) Unit : kg											
B	A	⊕ MAX		5.0 m		4.0 m		3.0 m		2.0 m	
		Cf	Cs	Cf	Cs	Cf	Cs	Cf	Cs	Cf	Cs
4.0 m		*1390 kg	990 kg			*1400 kg	1300 kg	*1540 kg	*1540 kg		
3.0 m		*1380 kg	810 kg	*1380 kg	820 kg	*1230 kg	*1230 kg	*1910 kg	*1910 kg	*2770 kg	*2770 kg
2.0 m		*1390 kg	730 kg	*1440 kg	800 kg	*1760 kg	1210 kg	*2390 kg	1950 kg		
1.0 m		*1410 kg	700 kg	*1510 kg	780 kg	*1940 kg	1150 kg	*2730 kg	1810 kg		
0.0 m		*1440 kg	730 kg	*1500 kg	760 kg	*2010 kg	1110 kg	*2810 kg	1750 kg		
-1.0 m		*1460 kg	830 kg			*1910 kg	1090 kg	*2660 kg	1730 kg	*3740 kg	*3740 kg
-2.0 m		*1440 kg	1080 kg			*1510 kg	1110 kg	*2240 kg	1760 kg	*3110 kg	*3110 kg

PC70-8 STD with BLADE SPEC											
Arm: 1650 mm Bucket: 0.30 m³ SAE heaped Shoe width: 450 mm With blade (Blade above ground) Unit : kg											
B	A	⊕ MAX		5.0 m		4.0 m		3.0 m		2.0 m	
		Cf	Cs	Cf	Cs	Cf	Cs	Cf	Cs	Cf	Cs
4.0 m		*1390 kg				*1400 kg		*1540 kg			
3.0 m		1150 kg		1150 kg		*1230 kg		*1910 kg		*2770 kg	
2.0 m		1040 kg		1140 kg		1690 kg		*2390 kg			
1.0 m		1010 kg		1120 kg		1630 kg		2610 kg			
0.0 m		1050 kg		1100 kg		1580 kg		2540 kg			
-1.0 m		1200 kg				1570 kg		2520 kg		*3740 kg	
-2.0 m		*1440 kg				*1510 kg		*2240 kg		*3110 kg	

*Load is limited by hydraulic capacity rather than tipping. Ratings are based on ISO standard No. 10567. Rated loads do not exceed 87% of hydraulic lift capacity or 75% of tipping load.



LIFTING CAPACITY WITH LIFTING MODE



- A: Reach from swing center
- B: Bucket hook height
- C: Lifting capacity
- Cf: Rating over front
- Cs: Rating over side
- ⊕: Rating at maximum reach

PC70-8 HEAVY-DUTY SPEC											
Reinforced Arm: 1650 mm Bucket: 0.37 m³ SAE heaped Shoe width: 450 mm Without blade Unit : kg											
B	A	⊕ MAX		5.0 m		4.0 m		3.0 m		2.0 m	
		Cf	Cs	Cf	Cs	Cf	Cs	Cf	Cs	Cf	Cs
4.0 m		*1320 kg	970 kg			*1340 kg	1280 kg	*1480 kg	*1480 kg		
3.0 m		1110 kg	790 kg	1110 kg	790 kg	*1170 kg	*1170 kg	*1840 kg	*1840 kg	*2710 kg	*2710 kg
2.0 m		1000 kg	700 kg	1100 kg	780 kg	1650 kg	1190 kg	*2320 kg	1940 kg		
1.0 m		970 kg	670 kg	1070 kg	750 kg	1580 kg	1130 kg	2560 kg	1800 kg		
0.0 m		1010 kg	700 kg	1050 kg	730 kg	1540 kg	1090 kg	2480 kg	1730 kg		
-1.0 m		1150 kg	810 kg			1520 kg	1070 kg	2470 kg	1720 kg	*3650 kg	3510 kg
-2.0 m		*1380 kg	1060 kg			*1450 kg	1090 kg	*2170 kg	1750 kg	*3030 kg	*3030 kg

PC70-8 HEAVY-DUTY with BLADE SPEC											
Reinforced Arm: 1650 mm Bucket: 0.37 m³ SAE heaped Shoe width: 450 mm With blade (Blade on ground) Unit : kg											
B	A	⊕ MAX		5.0 m		4.0 m		3.0 m		2.0 m	
		Cf	Cs	Cf	Cs	Cf	Cs	Cf	Cs	Cf	Cs
4.0 m		*1320 kg	950 kg			*1340 kg	1260 kg	*1480 kg	*1480 kg		
3.0 m		*1310 kg	770 kg	*1310 kg	770 kg	*1170 kg	*1170 kg	*1840 kg	*1840 kg	*2710 kg	*2710 kg
2.0 m		*1330 kg	690 kg	*1380 kg	760 kg	*1690 kg	1170 kg	*2320 kg	1910 kg		
1.0 m		*1350 kg	660 kg	*1440 kg	740 kg	*1870 kg	1110 kg	*2660 kg	1770 kg		
0.0 m		*1380 kg	690 kg	*1430 kg	720 kg	*1940 kg	1070 kg	*2740 kg	1700 kg		
-1.0 m		*1400 kg	790 kg			*1850 kg	1050 kg	*2580 kg	1690 kg	*3650 kg	*3650 kg
-2.0 m		*1380 kg	1040 kg			*1450 kg	1070 kg	*2170 kg	1710 kg	*3030 kg	*3030 kg

PC70-8 HEAVY-DUTY with BLADE SPEC											
Reinforced Arm: 1650 mm Bucket: 0.37 m³ SAE heaped Shoe width: 450 mm With blade (Blade above ground) Unit : kg											
B	A	⊕ MAX		5.0 m		4.0 m		3.0 m		2.0 m	
		Cf	Cs	Cf	Cs	Cf	Cs	Cf	Cs	Cf	Cs
4.0 m		*1320 kg				*1340 kg		*1480 kg			
3.0 m		1110 kg		1110 kg		*1170 kg		*1840 kg		*2710 kg	
2.0 m		1000 kg		1100 kg		1660 kg		*2320 kg			
1.0 m		970 kg		1070 kg		1590 kg		2570 kg			
0.0 m		1010 kg		1050 kg		1540 kg		2490 kg			
-1.0 m		1160 kg				1530 kg		2480 kg		*3650 kg	
-2.0 m		*1380 kg				*1450 kg		*2170 kg		*3030 kg	

*Load is limited by hydraulic capacity rather than tipping. Ratings are based on ISO standard No. 10567. Rated loads do not exceed 87% of hydraulic lift capacity or 75% of tipping load.