

AXIAL-FLOW® 240-SERIES

7240 / 8240 / 9240

CASE IH
AGRICULTURE



PERFORMANCE AT ITS BEST.

Combines of the Case IH Axial-Flow® 240 series are built for challenges associated with climate change, high-yielding crops and the need to become ever more efficient, Case IH Axial-Flow® combines are changing the landscape of harvesting technology yet again. With their increased power and enhanced threshing technology, the new Axial-Flow® models provide solutions for today's and future challenges.





STRIVING FOR PERFECTION.

The increased engine power on all models of the 240 series meets the demands of large modern farms and contract businesses: high-speed harvesting, increased threshing capacity and the capability to work smoothly even under most challenging conditions. As inventor of the single Axial-Flow® rotor design, Case IH continuously invests in engineering to further optimise what is already setting industry standards. Feeder, rotor, grain tank and unloading system is designed to handle large grain throughput and abrasive conditions. The engine power of each Axial-Flow model matches the requirements of today's challenging harvesting conditions without wasting fuel. At the same time productivity is optimised and grain losses minimised even during high-speed operation. In addition, with the higher capacity of the grain tank you will have plenty of time to manage the unloading process.

CUSTOMER-BENEFITS ARE KEY.

There is one clear principle: Case IH Axial-Flow® combines are developed and built for our customers – for easy operation, quick and simple adjustments as well as utmost reliability. Daily services can be dealt with quickly – and mostly from ground level – as all essential parts and areas are easily accessible. The cab uses modern technology to create the ideal environment for operators to concentrate on the work ahead; high performance, cost effective harvesting without stress.

WALKAROUND	04 - 05
HEADERS	06 - 09
THRESHING SYSTEMS	10 - 13
GRAIN HANDLING	12 - 17
STRAW MANAGEMENT	18 - 19
DRIVELINE	20 - 21
TRACKS	22 - 23
CAB	24 - 27
AFS	28 - 31
SERVICEABILITY	32 - 33
PARTS AND SERVICE	34
SPECIFICATION	35

NEW STANDARD IN HARVESTING TECHNOLOGY.

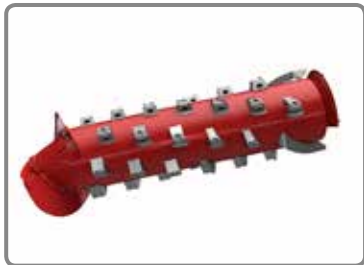
CASE IH 240 SERIES COMBINES

are built for the biggest farms, the largest contractors, the most demanding owners and operators, and the highest yields. They are developed and built for the lowest operating costs and utmost reliability – day after day, and season after season. At their heart is the proven Axial-Flow® single rotor technology, providing all the benefits associated with this concept such as thorough threshing, minimum losses and excellent grain quality due to the gentlest of grain handling.



AVOID GRAIN LOSSES WITH AN AXIAL-FLOW® HEADER

240 series combines can be operated with the latest generation Case IH headers which are available in widths up to 12.5m. These headers are designed specifically for local conditions and allow you to make the most of these combines' capacity. Choose from a wide range of headers such as variable grain headers, flex headers, pick-up headers, draper headers or corn headers – whatever suits your business best – and make optimum use of the capabilities of your Case IH equipment.



ENHANCED ROTOR AND CONE TRANSFER EXTENDED WEAR

For the new 240 series combines, the well proven and simple single rotor has been enhanced with the extended wear 762 mm diameter ST Rotor 72 raps bar with specialty bars and cone heavy duty. Chrome Cone and Tailings are now available as optional equipment. The new rotor Extended wear ST is also available for RICE growers - 40 rasp bars. Both configurations are perfectly matched to the combine engine, utilizing the engine power as efficiently as possible, thus optimizing productivity in all crops and through all harvesting conditions. The gentle threshing process ensures that each grain gets into the grain tank in the best condition.



INTEGRAL CHOPPER SLICES THROUGH STRAW

The combine's pass is the first step towards the next crop, whether you are chopping or baling your straw. With Axial-Flow® clean-slicing and perfectly pulverising straw choppers, you will leave an excellent foundation for next year's crop. If you need to bale all or part of your straw, you can change over to swathing quickly and you will get clean, neat, and easy-to-bale straw swaths without wasting harvesting time.





SAVE TIME IN LARGE FIELDS, UNLOAD ON THE GO

With 240 series Axial-Flow® combines, you can put large quantities of clean, undamaged grain into the grain tank fast. The new 8240 and 9240 models offer a larger than ever grain tank with an astounding 14,400 litres capacity, so you won't be unloading too often, even when working with large headers! When the tank is full, however, it can be unloaded rapidly, with a maximum unloading rate option of 144 litres/sec for the 8240 and 156 litres/sec for the 9240 models, respectively. The length of the auger allows for a comfortable distance between the grain trailer and the combine if you want to save time whilst unloading on the move and is suited for 12m controlled traffic systems.

INCREASED TRACTION, REDUCED SOIL COMPACTION

When compared with wheels, the front track option for Axial-Flow® combines allows for increased traction and flotation for effective soil protection whilst ensuring a transport width of just 3.5m on 610mm tracks. Depending on your requirements with regard to drive comfort and ground pressure, you can choose between standard or suspended track options.

LUXURY CAB – COMFORT IS YOURS

There is no combine simpler or more comfortable to operate than the latest Case IH 240 series Axial-Flow®. The Luxury cab, with electrical adjustable mirrors, increased storage space, semi-active seat option and an actively cooled cool box. All the key external functions are placed in the palm of your hand with the Multifunction Propulsion Control Lever, thus giving you full control. Grouped and arranged in the most ergonomic and logical layout, the commands follow the combine from front to back positions. Manage all header functions and unloading auger operations the easy way – for long and productive days in the field.

OPTIMISE PERFORMANCE, MINIMISE COST

Case IH Advanced Farming Systems (AFS™) collect and deliver important data for your management decisions on crop cultivation and cost management. By means of AFS AccuGuide GPS-controlled auto-steering, your combine is guided automatically – with an accuracy down to 2.5cm, track after track, to reduce overlaps and minimise time and fuel consumption during harvest.

Some features may not be included in the specifications available in your market.



HEADER AND COMBINE ONE UNIT.

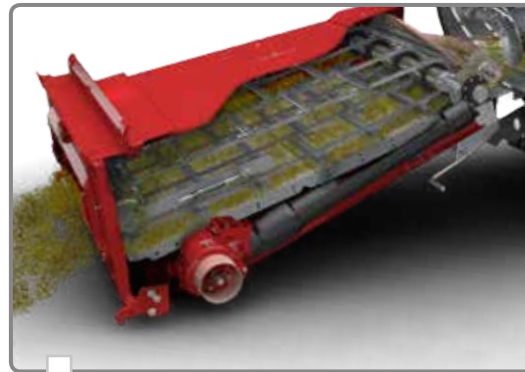
Axial-Flow® combines and Case IH headers are the perfect match to maximize the combines' output potential. High grain quality and smooth harvesting under all conditions – that's what the Axial-Flow® is built for. Our headers are designed to perform at their best in all yields, for maximum productivity and protection of grain quality whichever way the harvesting conditions may change. Minimal losses, simple operation and excellent harvesting performance in all conditions.

A smooth, fast and efficient intake means high threshing and separation rates are guaranteed.



QUICK COUPLING.

Axial-Flow® makes it easy to move between fields fast. All headers are conveniently coupled to the combine from the left hand side. A single latch connects all hydraulic services. Plug in the electrical connection, couple the PTO shaft, and in just a few minutes you're ready to start harvesting again.



FEEDERS WITH APPETITE.

The Axial-Flow® 240 series feature high capacity feeders to match today's harvesting speed and to handle the largest headers – and that's just the beginning when it comes to boosting throughput. Stones and other foreign material are pressed by a slip clutch-protected roller into the stone trap, to prevent any damage to the combine. The large stone trap is conveniently emptied with a lever from the left side of the combine.



HIGH OUTPUT.

Fast Harvesting and more productivity are today's requirements for harvesting. The optional variable speed header drive improves corn harvesting by adapting the speed of the header to the harvesting speed. This results in less wear and less crop loss. The adjustable header height control keeps the header parallel to the ground, hugging the contours automatically. A uniform cutting height at all combine speeds is ensured grabbing each grain in lay down conditions.

A WIDE RANGE OF HEADERS HARVEST ANY CROP.

Benefit from the wide range header offering of Case IH. Case IH headers are designed to not only match today's faster field speeds, tougher crop conditions and changing environments, but take on tomorrow's challenges as well. They are the perfect tool for ever-changing harvesting conditions, different stages of ripeness or during the day, when conditions of dampness and dryness take turns, starting in the early morning and ending in the dark of night. Whatever the stage of crop or the time of day, they help save more crop and protect quality.



3050, 2030 AND 2010 GRAIN HEADERS - THE CEREAL SOLUTION.

Case IH does everything to bring the best output of quality in different conditions. The design of the 3050, 2030 and the 2010 Grain Headers allows the farmer to operate in short and long grown grain, quick change to canola harvest and handle wheat-infested laying crops. With its robust design and ease of operation concept every farmer will love these headers, when it's coming to harvest.

- Available working width from 5.2 to 12.2m
- High speed harvest
- Automatic reel speed control
- Telescoping knife on the move to cater for loss free harvesting in long and short straw conditions
- Crop lifters available for layed crops
- Rice version available for the 2030 grain header.



3020 FLEX HEADER – THE SOYBEAN SPECIALIST.

Low-growing and low-podded crops such as soybeans present their own challenges at harvest, but with a Case IH 3020 flex header on the front of your Axial-Flow®, you will have the best tool for the task. For high-speed harvesting with minimal losses, there's nothing to match the 3020. It's the specialist for harvesting crops growing close to the soil, hugging them to gather every single pod and bean, limiting the seed losses.

- Available working width from 6.1 to 10.6m
- Flexible knife runs close to the ground contours to gather even low hanging pods
- Fully adjustable suspension system, with the option to control it from the cab
- In rigid form the header can also be used for all other grain harvesting application

3100 RIGID AND FLEX DRAPER HEADER – GENTLE HANDLING OF THE CROP.

The draper headers are gaining more popularity among farmers and contractors. Crop is conveyed gently across the draper floor and fed heads-first into the feeder.

- Available working width from 7.6 to 13.7m
- High speed harvesting in short straw crops and rape seed without losses
- Easy serviceability
- Central knife drive for balanced performance
- Optimization of feeding flow
- Best feeding quality for rice crops



4400 & 2100 CORN HEADER.

Case IH 4400 and 2100 series corn/maize headers offer excellent picking ability in both standing and down corn, increasing grain savings in all circumstances. What's more, they offer unrivalled ease of servicing to ensure they are ready for work in no time at all, and are easily adaptable to changing harvesting conditions.

- Available row units from 6 to 12, with following row spacing: 30, 36 and 38 inch / 70, 75 and 80cm
- Chopping/non-chopping capability
- Low profile divider design
- Heavy duty drives
- Easy serviceability
- Efficient control of the stalk for maximum output: 4 knives per stalk roll – excellent guidance by the gathering chain



3000 PICK UP HEADER.

Cereals, oilseed rape/canola, beans, peas, lentils, grass seed... the 3000 pick-up header range is the solution to them all. It gently lifts swaths cleanly and tidily with minimal seed losses. The swath is transported gently on the belts to the combine feeder. The pick-up belts cover the total width of pick up, guaranteeing the gathering of all material without running over adjacent swaths.

- Clean and gentle pick up of large single or multi windrows
- Accurate pick-up contour-following via gauge wheels
- Suits all types of crops and high forward speeds
- Easy maintenance and serviceability

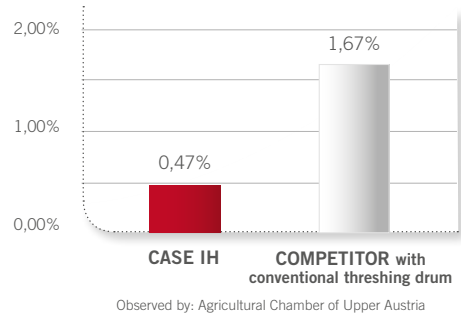


SINGLE ROTOR THRESHING.

FROM THE INVENTOR OF AXIAL-FLOW®

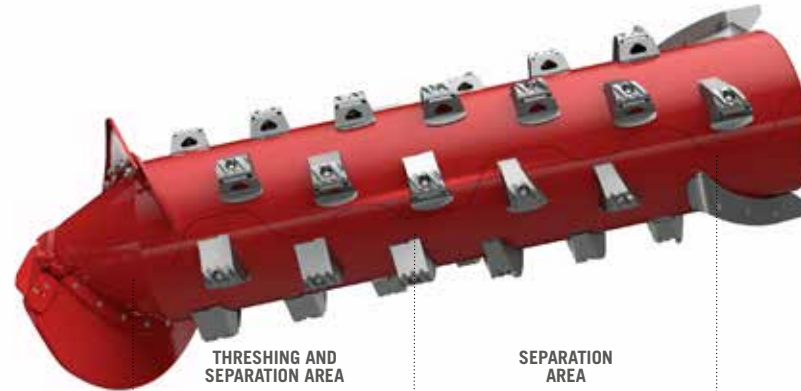
Single rotor threshing and separation is a Case IH specialty. We unveiled the first combine range based solely on this system more than three decades ago, and such has been its success that it remains core to our combine range today. At the heart of every Case IH 240 series combine is the latest small Tube rotor. The rotor section covering the threshing concaves is equipped with a new dedicated rasp bar arrangement for earlier threshing and separation, whereas the rotor section covering the separation area is fitted with the rasp bars, partly fitted with spikes, to catch the last grain. The advantages are a higher threshing and separation capacity, resulting in reduced losses, and to reduce the sensitivity of the rotor to changing crop conditions. The end result is a combine range built not just to meet today's farming challenges – but to take on tomorrow's too.

AVERAGE CRACKED GRAIN CONTENT



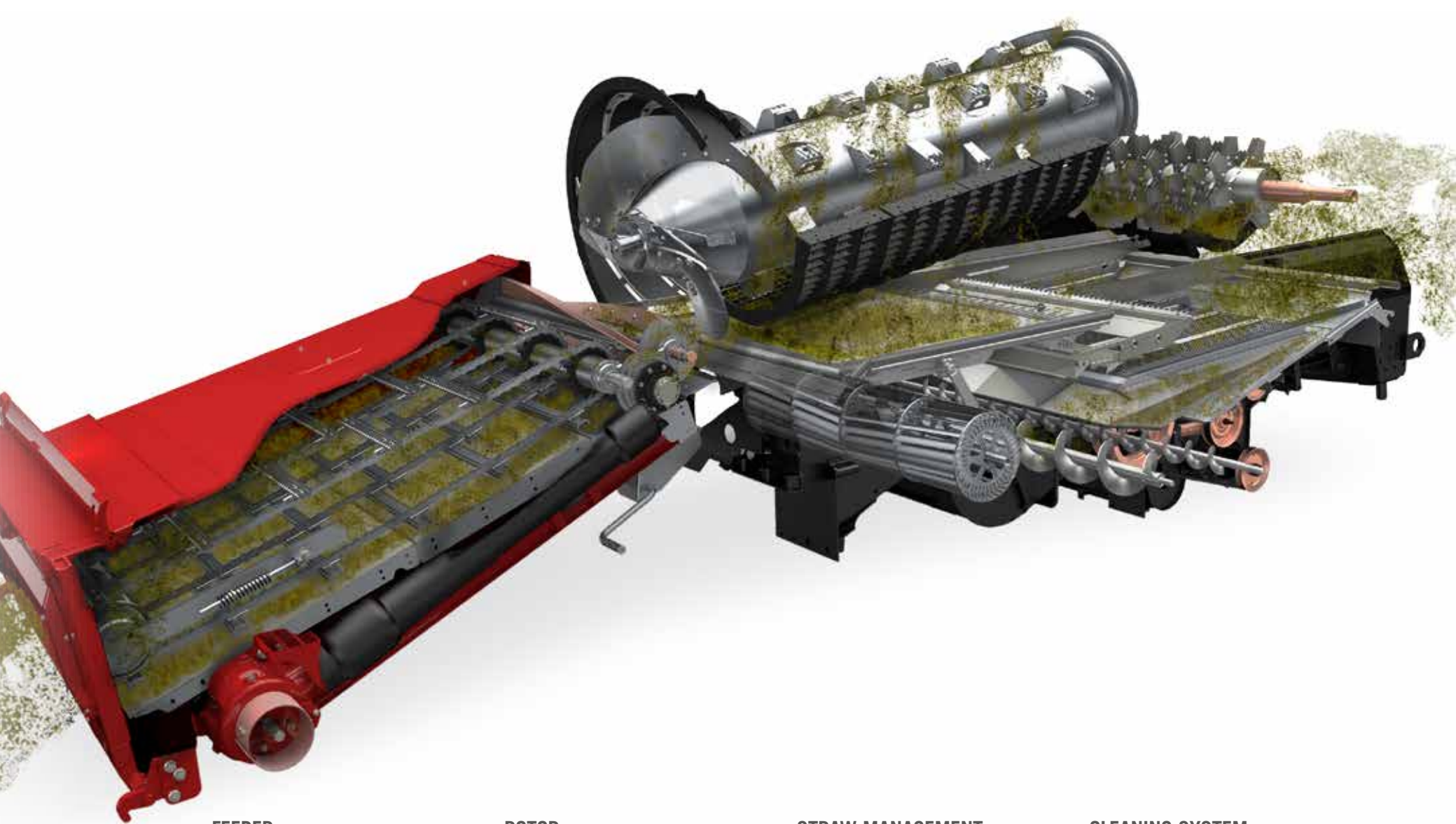
SIMPLY ADVANCED: GENTLE THRESHING MEANS MORE GRAIN, MAXIMUM QUALITY.

- Axial-Flow® rotor optimises crop flow for gentle threshing and separation, increased throughput in tough conditions
- Results in both yield and quality gains which are reflected directly on your bottom line
- Gentle transition of crop from elevator to transition cone – NO SEPERATE CROP ACCELERATOR NEEDED
- Less average cracked grain content for best in class grain quality



SIMPLY ADVANCED: AXIAL-FLOW® ROTOR TECHNOLOGY

The grain-on-grain threshing action of Axial-Flow® not only limits grain losses in the field through more effective separation, but also ensures that what goes into the grain tank is unbruised and unbroken, protecting crop quality and adding revenue to your bottom line. There's no high-impact conventional drum like that used in conventional or hybrid combines, and the transition from threshing to separation is completely seamless.



FEEDER.

- Designed to operate headers with a work width up to 14 m (45 ft)
- Higher reliability and less servicing by using shaft drive instead of belts for the header
- Large stone trap housing, easily cleaned from the left hand side
- Feed rate control available

ROTOR.

- Rotor for the harshest conditions to handle large volumes of straw and grain, in all crops and various conditions
- High quality grain is key benefit
- Small Tube rotor specifically designed for rice

STRAW MANAGEMENT.

- Straw management of a combine sets the baseline for next year's crop.
- Open the fields by chop and spread and then switch over to swath using the in-cab switch over option

CLEANING SYSTEM.

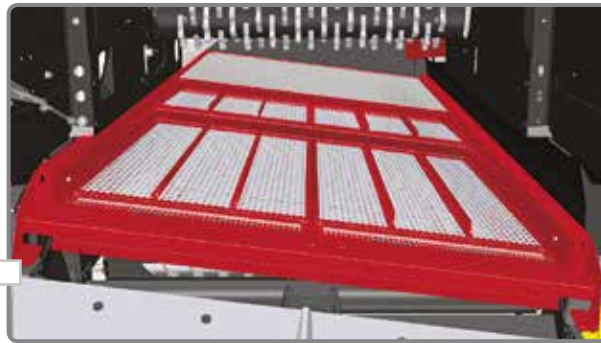
- Cross Flow Fan for cleanest grain
- Finger tip control sieve adjustment from the comfort of your seat or from the left-hand side of your combine
- Pre-sieve to adapt to all conditions





THE HIGHEST GRAIN QUALITY. THE CLEANING SYSTEM

Axial-Flow® 240 series combines are designed to put large quantities of clean, undamaged grain in the tank – and fast. The cleaning system drives up grain quality and cuts down on grain losses, giving you a greater performance and higher productivity. The Cross Flow cleaning system uses the proven chevron-shaped fan, generating high volumes of air throughput. Unlike conventional systems, no air pockets are formed and distribution is consistent across the underside of the sieves. In addition, fan speed is fully adjustable to cater for finer-seed crops and at the fan outlet ducts directs the air flow across the sieves more effectively, raising the cleaning quality. The hydraulically driven fan maintains its speed regardless of engine load. This provides the higher cleaning capacity Axial-Flow users are proud about.



THE HIGHEST GRAIN QUALITY.

Axial-Flow® 240 series combines are designed to put large quantities of clean, undamaged grain in the tank – and fast. The cleaning system drives up grain quality and cuts down on grain losses, giving you a greater performance and higher productivity.

- Self-levelling cleaning system levels up to 12% to increase capacity on hillsides
- Fully-adjustable pre-sieve means adaptability in all crops and conditions
- The Case IH Trisweep system efficiently rethreses stubborn returns in the cleaning system.
- Sieves adjustable from the seat



THE CLEANING SYSTEM.

The Cross Flow cleaning system uses the proven chevron-shaped fan, generating high volumes of air throughput. Unlike conventional systems, no air pockets are formed and distribution is consistent across the underside of the sieves. In addition, fan speed is fully adjustable to cater for finer-seed crops and at the fan outlet ducts directs the air flow across the sieves more effectively, raising the cleaning quality. The hydraulically driven fan maintains its speed regardless of engine load. This provides the higher cleaning capacity Axial-Flow® users are proud about.



MORE IN THE TANK MORE IN THE BANK. GRAIN TANK

There is only one way to describe the grain tanks on the latest Axial-Flow® combines – cavernous. These tanks are more than capable of handling the high quantities of grain that 240 series Axial-Flow® machines can quickly produce.



CASE IH AXIAL-FLOW® COMBINES FEATURE SOME OF THE LARGEST GRAIN TANKS ON THE MARKET:

If you are opening up large fields and harvesting high-yielding crops, you will be surprised how much flexibility Axial-Flow® grain tanks give you. They are big enough to aid harvest management and prevent unproductive travelling to field ends for stationary unloading.



EASY ACCESS.

When it is necessary to enter the grain tank for servicing, maintenance or cleaning, Case IH engineers have made the task safer and simpler. It is now much easier to gain full access when necessary.



HIGHER CAPACITY.

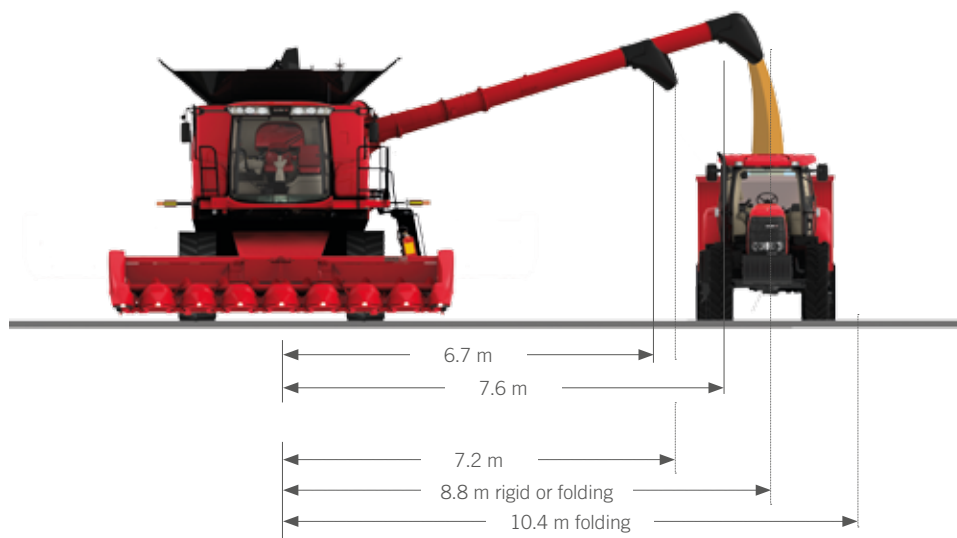
Axial-Flow® 240 series combines feature hydraulically folded grain tank extensions. The fold-out covers allow for high-volume filling without spillage. They are closed from the cab for easier transport or weather-proofing.

MODELS	GRAIN TANK CAPACITY (L)
7240	11,100
8240; 9240	14,400



WATCH YOUR CASH FLOW. HIGH SPEED UNLOADING.

With a 113 l/sec unloading rate, the 240 combine range is fitted with an unloading system of sufficient speed to empty the grain tank within two minutes. Optional 141 l/s or 159 l/s (9240 only) discharge systems reduce unloading times on the move, or on the headland in high-yielding crops, boosting both combine and grain haulage productivity.



QUICK, GENTLE AND EFFICIENT 'HIGH CAPACITY' UNLOADING SYSTEM.

- Larger vertical and horizontal unloading augers
- A standard dual drive control on the 9240 (optional on 7240 and 8240 models) provides the ability to turn off the grain tank cross augers and completely empty the unloading auger. The result is reduced weight in the unloading auger, and less strain on components when unloading begins.
- The larger auger swing cylinder handles the longer unloading auger.
- The unloading auger is available in several lengths to suit all requirements, including the 12 m controlled traffic system which is gaining popularity among farmers
- **Standard unloading system** at 113 l/s suited for grain and corn headers up to 12.5 m width
- **High capacity unloading system** at 141 l/s for 7240 and 8240 or 159 l/s for 9240 combines for grain and corn headers up to 12.5 m width



The 8.8 m and 10.4 m unloader tube is available as a foldable version for easier transport on the road and for easier maneuvering in sheds for storage.



The pivot spout option is operated with the multi-function handle and directs the grain stream into the grain cart, filling it without spillage to maximum level.

A FINE CHOP AND SPREAD, A PERFECT SWATH. THE START OF THE NEXT SEASON

Whatever your crop establishment regime, a combine that has left behind nothing but evenly-distributed and finely chopped straw on well-cut stubbles is a good start for the next process, whether that is ploughing, minimum tillage or direct drilling. That is what you get with the latest Case IH straw choppers. If you choose to bale your straw though, you'll also find that there is little left behind afterwards, with Axial-Flow® combines producing neat, easy-to-bale swaths.



DISTRIBUTION.

A unique Axial-Flow® plus point is the ability to be able to spread out unchopped long straw for faster drying. The straw can easily be windrowed for baling. This benefits harvest conditions in green straw and unfavourable weather conditions.



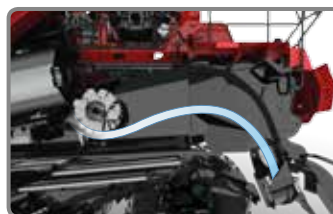
CHOPPING.

In chopping mode, the unique 120 blade chopper cuts the straw for fast decomposition before the next planting season. With the new in-cab changeover option, changing from chop to spread is easily done from the cab: you just open the headland chopping and spreading then change to windrowing mode. The change takes just a minute so you don't waste any harvesting time.



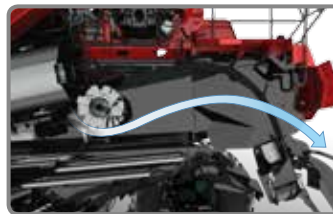
SPREADING.

The residue can be spread over the full width of the header, either symmetrically behind the combine or away from the edge of the crop, yet covering the whole area. With the option to adjust the spreader electrically from the cab, the spreading pattern can be adjusted ideally for all wind conditions – this keeps the spread even across the field for fast decomposition, soil erosion control and trouble-free tillage operations.



WINDROWING.

The straw can be windrowed with or without the chaff, depending on the future use of the residue according to the preference of the farm or contract customer. The windrow is shaped on the stubble by an adjustable chute.





LESS COMPLEXITY, MORE TIME IN THE FIELD.

DRIVELINES

The drives for the whole combine are powered from a central gearbox mounted directly to the engine for maximum efficiency. Indeed, Axial-Flow® is unique in that all the principal power transmission is achieved without use of belts, avoiding the problems associated with slip, wear, maintenance and replacement.



FOUR-RANGE HYDRO TRANSMISSION.

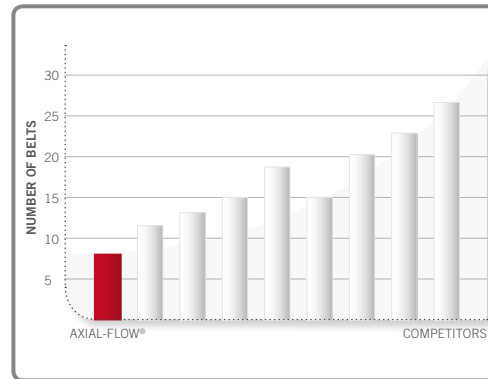
Hydrostatic transmission offers infinite control of ground speed through a direct coupling from the engine to the hydrostatic pump for instant drive. Four speed ranges from the transmission allow you to select the right speed for the crop and field conditions.



POWER PLUS CVT.

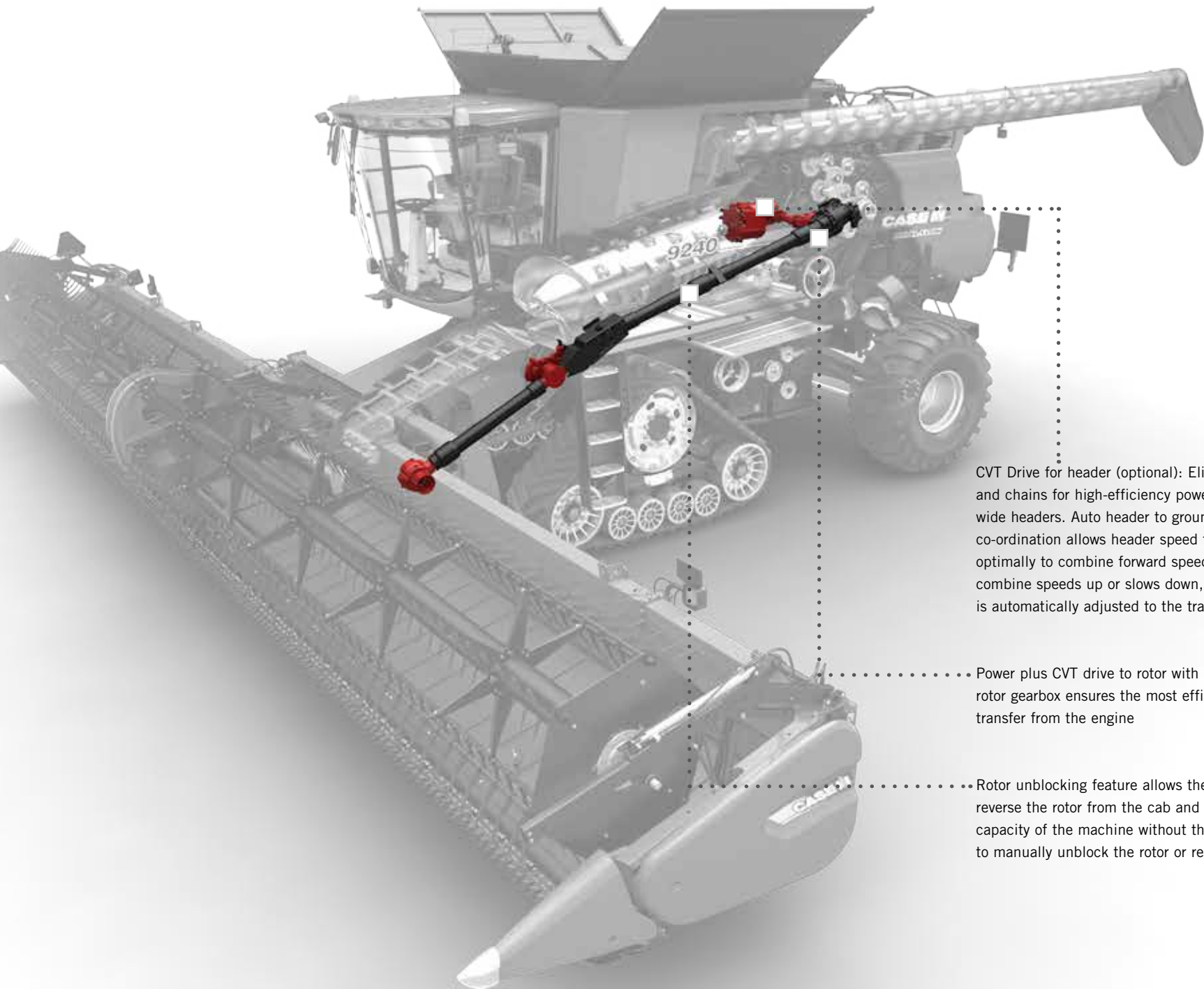
With its unique variable speed technology, the Power Plus™ rotor drive offers the best possible efficiency, with low maintenance requirements:

- infinite rotor speed variable on the go
- rotor can be reversed in the event of a blockage
- designed to handle all rotor loads reliably, without slip.



INDUSTRY-LEADING DRIVE TECHNOLOGY.

Compared with other combines the Axial-Flow® 240 series uses fewer belts, resulting in improved power transfer and reliability.



CVT Drive for header (optional): Eliminates belts and chains for high-efficiency power transfer to wide headers. Auto header to ground speed co-ordination allows header speed to be matched optimally to combine forward speed. As the combine speeds up or slows down, header speed is automatically adjusted to the travel speed

Power plus CVT drive to rotor with a four-speed rotor gearbox ensures the most efficient power transfer from the engine

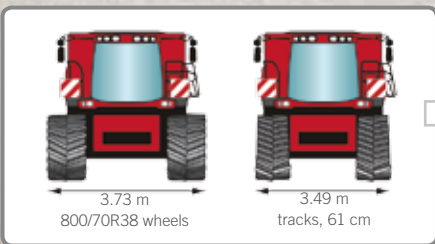
Rotor unblocking feature allows the operator to reverse the rotor from the cab and use the full capacity of the machine without the fear of having to manually unblock the rotor or replace a belt



CASE IH

7240

CASE IH



..... Stay below 3,5m transport width with tracks.

FLOATING OVER YOUR FIELDS ENSURE THE PROTECTION OF YOUR SOIL.

We understand that your most valuable resource is your soil so we know how important it is to ensure that capacity shouldn't come at the cost of compaction. Case IH has a justified reputation as the specialist in tracked drive systems for high-output machinery, with the Case IH Quadtrac having established itself firmly as the leader among high-hp tractors for traction, flotation and a narrow transport width.

- Easy servicing: oil level can be simply inspected in the oil gauge glass - no tools required
- Maintenance free automatic belt tensioning system
- Two track versions are available with 61 cm or 76 cm belt widths and the narrower units overall combine width is just 3.49 m.

Following our history of success and leadership in tracked drive systems, two solutions are delivered, the rubber dampened track system and the hydraulic suspended track system.



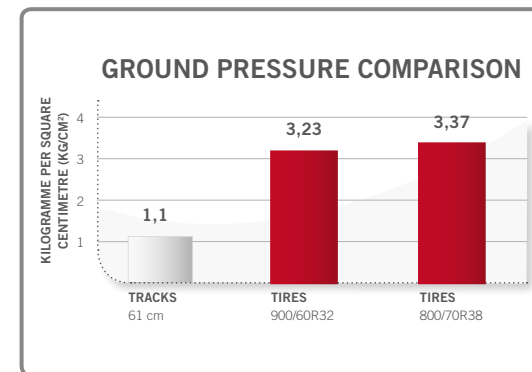
RUBBER-DAMPENED TRACK SYSTEM.

- Case IH tracked drive systems provide greater tractive effort when compared with wheeled drive systems in muddy and soft soil conditions.
- Tracked combines are fitted with variable speed motors to enhance traction and gradeability, allowing higher field efficiency.



SUSPENDED TRACK SYSTEM.

- Fully suspended track system for best suspension and adaption to the ground
- Each single suspension cylinder is free to move and adapt to ground unevenness to provide an even ground pressure across the track surface.



GO EASY ON THE GROUND.

- Reduced soil damage due to considerable reduction in ground pressure
- Ability to harvest even in soft ground conditions



THE AXIAL-FLOW® CAB. THE NEW CAB

Maximising productivity requires the best combine and an operator who can work in the ideal environment, protected from all elements that reduce his concentration and wear him out. Today's combines must work long hours, handle high-yielding crops and deliver optimum quality. A combine cab, offering a relaxed workenvironment is absolutely necessary. That's why our engineers have created one of the quietest, most spacious and most comfortable cabs on the market, designed for long and profitable working days. New rubber cab mounts reduce vibration even more. The instrument console is integrated into the armrest of the seat for easy reach of the operator. Choose from two cabs, the Comfort version and the Luxury version with electrically adjustable mirrors, increased storage space, semiactive seat option and an actively cooled coolerbox.



QUIET, CALM, COMFORTABLE.

A Case IH operator deserves a comfortable, user-friendly environment. Climb the easy-access, foldable steps to the spacious deck and behind the cab door you will find ample space and storage, with comfort enhanced by thoughtful details such as ergonomic layout, an air suspended operator seat, low noise levels and an unrestricted view.



NO LIMITATION ON YOUR WORKING DAY.

Farming operations require that their crops are removed from the fields fast when the time has come and thus harvest often extends late into the night, requiring ample illumination. Stadium lights are fitted to the roof to completely illuminate the work area. Lights in the grain tank, on the unloading auger and at the rear of the combine ensure all critical areas are fully visible at night. A high intensity discharge (HID) lighting package is also available.



OPERATIONS CENTRE.

With the AFS Pro 700 touch-screen on the right hand console, all important data and settings are available at your fingertipp and let you handle and operate your combine efficiently and with ease. The screen arrangement of the AFS Pro 700 touch-screen monitor is logically configured. The left side provides full information on all important operating data, while to the right different 'templates' can be selected, such as those that display current combine settings or yield monitoring data.

TAKE A CLOSER LOOK AT THE TWO CABS IN DETAILS.

Harvesting means getting the reward for all the work and the means of production invested throughout the season. Enabling you to spend long and productive days on your combine without being worn out therefore is at the core of our engineers efforts when developing and designing combine cabs.



COMFORT VERSION.

The Comfort cab features ergonomic layout to give you full control at all times, with an unobstructed field of vision, a comfortable seat and plentiful leg and foot room. The Multifunction Propulsion Control Lever as well as the sliding AFS Pro 700 touch-screen monitor are conveniently integrated in the right console. Working in such an environment is a pleasure, because you will be experiencing a powerful mix of comfort and productivity.



LUXURY VERSION.

In addition to the features of the Comfort Version, the Luxury cab will offer electrically adjustable mirrors, even more storage space, a semi-active seat option and an actively cooled cool box. Food and drinks will thus remain fresh and refreshing, adding to the feeling of comfort in this cab.



Opt for the sliding AFS Pro 700 monitor

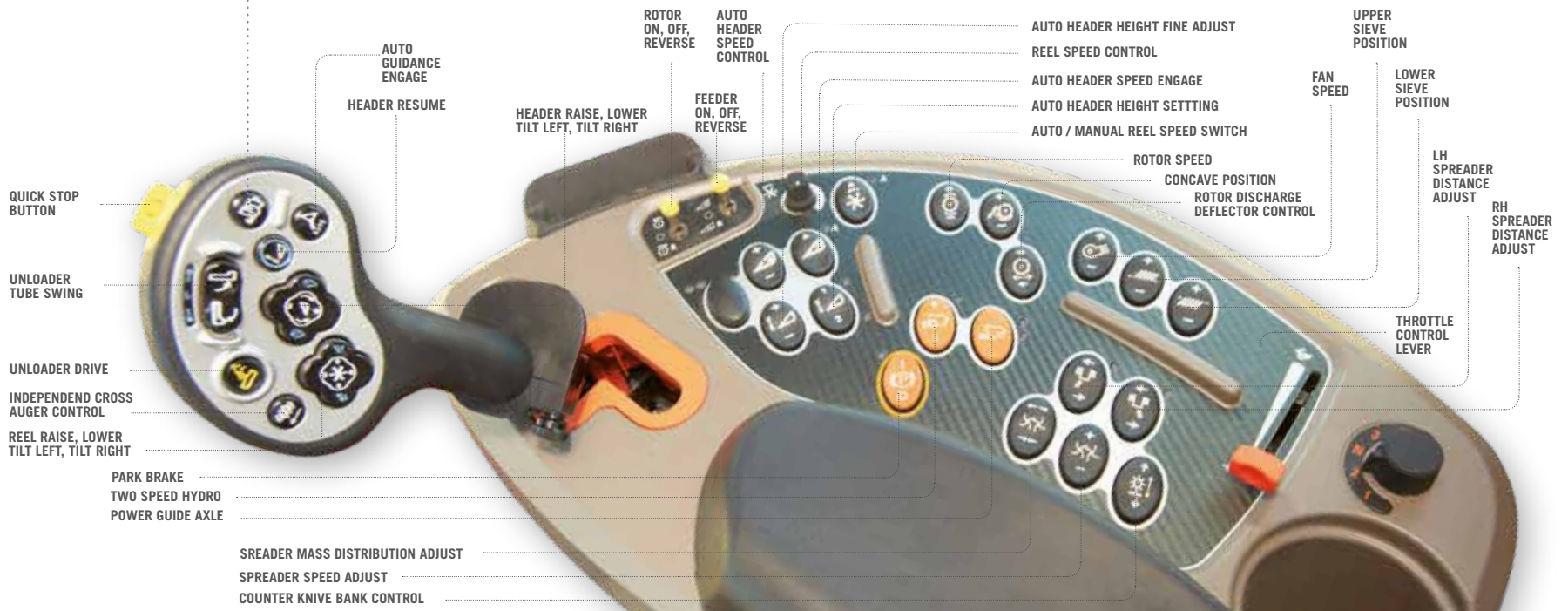
CONTROL AT YOUR FINGERTIPS.

The Axial-Flow® is as simple and comfortable as possible to operate. The number of functions that can be controlled through the joystick has increased and there is an adjustable right-hand console-mounted display which makes monitoring key combine functions much easier. For full control the most commonly used commands are arranged in the best ergonomic position, allowing easy management of all header functions and operation of the unloading auger. In addition an emergency stop button is included to halt the elevator, cutterbar and header auger.

□ SIMPLY ADVANCED: THE FEEDRATE CONTROL.

Enables you to ensure your combine is always operating at maximum capacity by selecting, between two modes:

- **Engine Power Mode:** Maximise engine efficiency, with a resulting reduction in fuel consumption, by optimising efficiency of parameters such as actual feed rate, engine load, rpm and speed.
- **Engine Power Plus Loss Mode:** Minimise losses by controlling forward ground speed based on the engine power loop parameters plus feedback from the rotor and cleaning system loss sensors.



AFS™ ADVANCED FARMING SYSTEMS

CASE IH ADVANCED FARMING SYSTEMS (AFS™) PAY FOR THEMSELVES. TAKE ADVANTAGE OF HARDWARE AND SOFTWARE – ALL-IN-ONE AND FROM A SINGLE SOURCE: THE PERFECT SOLUTION FOR YOU.

Case IH AFS™ stands for an extensive range of practice-oriented solutions that help you farm and manage your fields more efficiently than ever before. Take advantage of what is doubtlessly the most important advancement in modern agriculture since the start of mechanisation, and benefit from increased control, productivity, efficiency and precision. Case IH AFS solutions are logical, easy to use and intuitive, and they become second nature in next to no time. This is how we understand the demands of modern farmers.





ON THE RIGHT TRACK – AFS ACCUGUIDE GPS-CONTROLLED AUTO-STEERING.

In conjunction with AFS AccuGuide, the mechanical Row Guidance ensures the combine follows the rows in maize crops. It takes the stress out of harvesting at high forward speeds and when using wide headers, thus reducing operator fatigue and boosting productivity, to exploit the combine's full performance capabilities.

FAR MORE THAN JUST A SAVING ON FUEL – THE AFS ACCUGUIDE EFFECT:

- Optimised machine usage
- Improved comfort by reducing operator demands
- Savings on fuel and labour costs
- Less time spent in the field
- Reduced skips and overlaps – improved efficiency
- Perfect work in poor visibility conditions without compromise

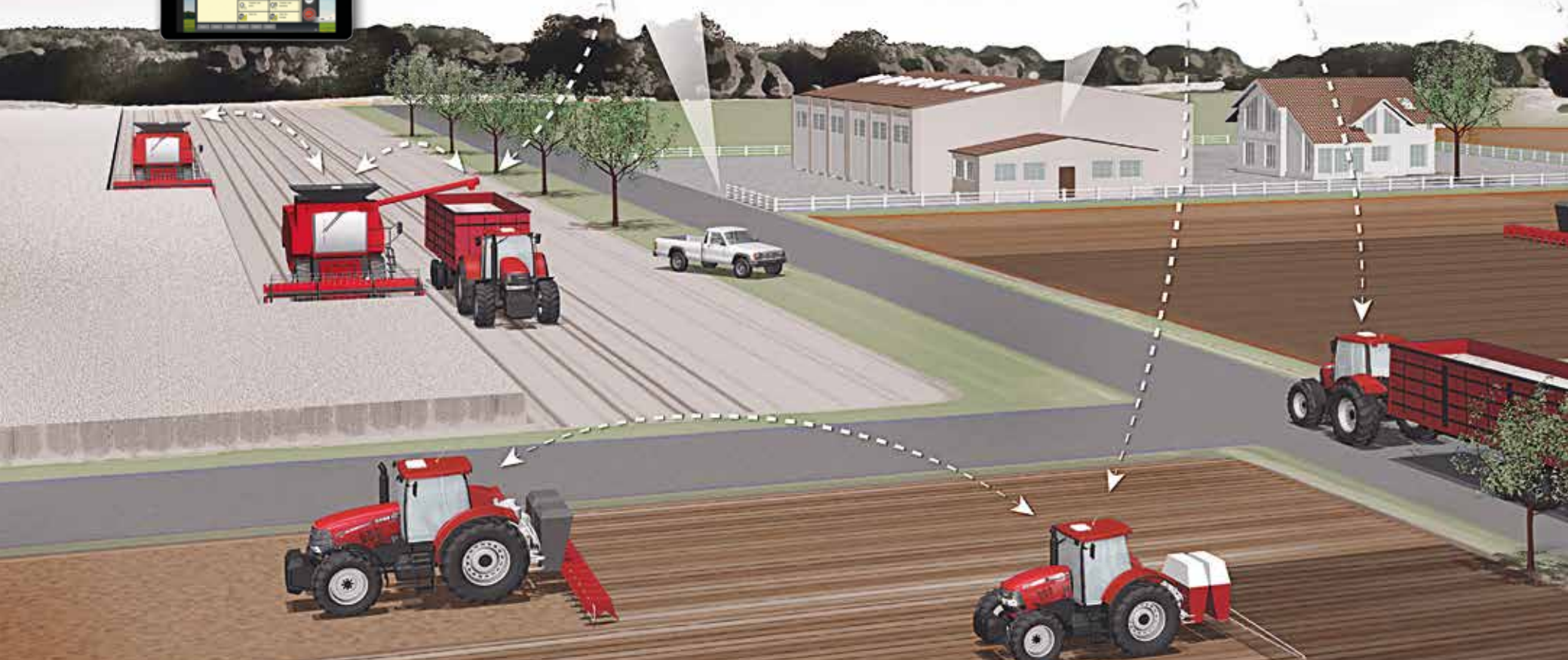
CONTROLLED TRAFFIC FARMING.

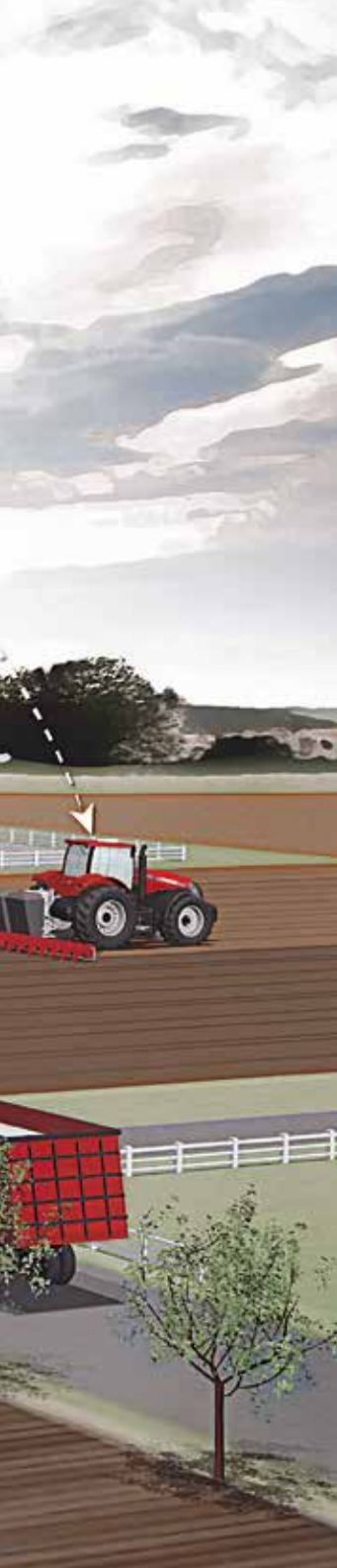
Sustainable soil management and soil conservation are receiving growing attention. Controlled Traffic Farming as one of the successful strategies is increasingly looked at and taken up by farmers. Controlled Traffic Farming (CTF) is based on in-field tracks which are laid out once and then are permanently used, thus leaving the soil surface between the tracks unaffected. Wheel tracks of the machines used for field work can be harmonised in a second step. Harmonised working widths and a high-precision guidance system are basic requirements for CTF.

CASE IH SOLUTIONS FOR A 12M PERMANENT TRACK SYSTEM.

- Case IH RTK-systems for absolute precision and reliability in the 3 cm range,
- the 12.5 m header for our Axial-Flow combines and
- an extra-long and foldable unloading auger for direct unloading into transfer vehicles which drive on the next permanent 12 m track.







AFS CONNECT™ MONITOR PERFORMANCE, MAXIMIZE UPTIME, INCREASE INCOME

Case IH AFS Connect™ telematics uses global positioning systems and mobile communication technology to send and receive machine, agronomic and jobsite information. Telematics technology allows you to know more – on the whereabouts, status and settings of your machines – even from your office desk, thus helping to improve the productivity of your business with up-to-the-minute information. Case IH AFS Connect™ telematics is “the clever way” to maximise your return on investment. For different demands and personal preferences, Case IH AFS Connect™ is available in two specification levels.

The **AFS Connect Basic** offers fleet management capabilities, machine location tracking and a working status overview. Knowing exactly where your tractor or harvester is – in which field and in which part of that field – allows you to guide trailers or fuel supplies exactly to the right spot. No time is wasted whilst the efficiency of man and machine is kept at their maximum. With the AFS Connect™ Manager, you can be alerted when your machine leaves a designated area. In addition to security benefits, this also allows you to guide operators to preferred routes and instructed areas – particularly helpful for inexperienced staff or contract services.

AFS CONNECT BASIC FEATURES.

- **Fleet Management**, including vehicle mapping, historic breadcrumbing
- **Machine Monitoring**, including geofence/curfew settings, motion detection for the last five days after last key-off
- **Maintenance**, including maintenance-due alerts
- **One-Minute Update Rate**, or when status change occurs including reporting of key on/off, idle time and workload.
- **Machine Status**, including reporting of traveling, engine hours, moving, working and moving, moving and unloading, unloading and working, unloading and moving, unloading
- **Dashboard Graphic Interface** of key vehicle parameters on supported platforms, such as engine speed and oil temperature, coolant temperature and level, hydraulic oil temperature and pressure, fuel level, DEF level, battery voltage
- **Live Time** provides 30 minutes on the dashboard

The **AFS Connect Advanced** package includes all features and abilities of the AFS Connect Basic plus various other helpful management and analysis possibilities:

- Compare data from different machines and identify areas of possible improvement where one machine is performing better than the other.
- Having operating data instantly at hand, as well as access to performance and set-up figures from previous working periods for the same or similar machines, provides aid for new or inexperienced operators and enables them to quickly increase their efficiency.
- AFS Connect messaging allows farm owners and managers, as well as Case IH dealer technicians, to send advice directly to the machine's display – so operators can improve their performance on the move.

AFS CONNECT ADVANCED FEATURES.

- **CAN Viewer** lets you watch machine parameters remotely in real time.
- **2-Way Messaging** from the web portal to the vehicle, with a predefined set of potential operator responses
- **Graphic Reports** showing area worked, yield average, flow average, moisture average, weight, fuel level
- **Live Time** provides 30 additional minutes through the CAN Viewer which gives you a deeper dive into machine performance data – per modem, per day, not pooled in any way
- **Cellular Network Coverage**, with multiple providers per country for best coverage. Roaming SIM Card and data plan included in AFS Connect subscription works global.



DON'T LOSE PRECIOUS TIME ON DAILY CHECKS AND MAINTENANCE.

Keep harvesting! Daily checks and cleaning have been made easier with the new swing-out radiator package, while the air filter is conveniently located for quick inspection. When there's a full day's harvest ahead of you, the last thing you want is a machine that's time-consuming to service. Daily checks and regular maintenance are simple when you run an Axial-Flow®. Keeping you working and reducing maintenance and costly downtime is one of the strengths behind every Case IH Axial-Flow® we build. Combined with a design that features fewer moving parts than competitive machines, the result is an operating cost that is among the lowest in the industry.



SERVICING MADE SIMPLE.

With a design that's centred around fewer moving parts than on any other combine, you can get going while others are still in the yard. Daily service points are simple to access via easy-to-raise side panels and the trademark Axial-Flow® spacious rear engine deck.



CLEVER DETAILS.

An optional on-board air line means there's no need for a separate compressor for cleaning down the machine. Once you're done for the day, thoughtful touches include a new, larger toolbox to secure away valuable items and an optional hand wash station.



EASY ACCESS TO CONCAVES AND ROTOR.

Cleaning or changing the concaves and rotor has been made far simpler.



ACCESS SPACIOUS ENGINE / COOLING SYSTEM DECK.

Sturdy ladder provides easy access to deck from rear of combine.

MORE THAN MACHINES TO WORK FOR YOU: WE'VE GOT PEOPLE TO WORK WITH YOU.

When you buy a Case IH machine, you can be sure not only that you're buying the best product, but also that you've got the best dealer back-up behind you. Case IH dealers can offer advice on selecting the right machine, will ensure they deliver what you need when you need it, and will then continue to back you and your equipment with the service and spare parts backing you'd expect from a name as trusted as Case IH.



SKILLED BUSINESS ADVISOR AT YOUR DEALERSHIP. DEMAND MORE FROM YOUR CASE IH DEALERSHIP.

Purchasing a standalone piece of new equipment?
Keeping a whole fleet up-to-date? Whatever your size of operation, contact your local Case IH dealership for professional advice on your business needs. Case IH knows your farming needs best.



MAINTAIN THE PRODUCTIVITY OF YOUR INVESTMENT.

Case IH and its dedicated dealer network provide excellent support when you take delivery of your new machine and whilst it remains in your ownership. On the farm, you can rely on trained service professionals to maintain the productivity of your investment.



DO NOT RISK YOUR MACHINE'S LIFE. BUY CNH INDUSTRIAL PARTS & SERVICE!

Protect the value of your investment. Behind every Case IH product stands an extensive parts logistics organisation, stocking parts for products both old and new. Choosing to fit genuine Case IH parts will maintain the safety, value and performance of your original investment.

MODELS	Axial Flow [®] 7240	Axial Flow [®] 8240	Axial Flow [®] 9240
HEADERS			
Case IH fixed/variable knife headers (2030/3050 range), draper headers (3152 range), flexheaders (3020 range) working widths (m):	6,1/7.6 / 9.2	7.6 / 9.2 / 10.7 / 12.5	7.6 / 9.2 / 10.7 / 12.5
Corn header 4400 range rigid/foldable		6, 8 and 12 row corn headers	
Pickup headers 3016 range working width (m):		3.7 / 4.6	
THRESHING / SEPARATING			
Rotor drive type		Gearbox and Shaft - variable speed Power Plus Drive	
Rotor speed range (rpm)	220 - 1,180 (3 ranges)	220 - 1,180 (3 ranges)	220 - 1,180 (3 ranges)
Rotor diameter and length (mm)	762 / 2,638	762 / 2,638	762 / 2,638
Total separation area (m ²)	2,98	2,98	2,98
Threshing / separating modules wrap angle (°)	180	180	180
Number of threshing / separating modules	2 / 2	2 / 2	2 / 2
CLEANING SYSTEM			
Cascade sieve	•	•	•
Cleaning shoe width (mm)	1580	1580	1580
Levelling capability (%)	12,1	12,1	12,1
Total sieve area under wind control (m ²)	6,5	6,5	6,5
CLEANING FAN			
Fan speed range (rpm)		Hydraulic Load Sensing - 300 to 1,150	
RETURN SYSTEM			
Tailings return type		Triple impeller tailings processor	
GRAIN TANK / UNLOADING			
In-cab control of grain tank covers	•	•	•
Grain tank capacity (l)	11,100		14,400
Unloading rate (l/s)	113 / Optional 141	113 / Optional 141	113 / Optional 159
Unloading auger effective length, measured from middle of combine to tip of unloading auger (standard/option) (m)		6,7 or 7,6 / High Capacity Options 7,2 or 8,8	
STRAW CHOPPER & SPREADER			
Straw chopper / beater		Integral fixed knife chopper	
Number of knives: chopper/counterbar		120 / 40	
Spreader type		Vertical, twin disc hydraulically driven, in cab speed adjustable	
ENGINE ¹⁾			
Type / Capacity (cm ³) / Emission stage	6 cylinder, Turbo, aftercooler/ 11 100 Tier 2	6 cylinder, Turbo, aftercooler/ 12 900 Tier 2	6 cylinder, Turbo, aftercooler/ 15 900 Tier 2
Max. power ECE R120 ¹⁾ at 2000 rpm (kW/hp(cv))	366/498	420/571	466/634
Fuel tank, diesel/urea (l)		1125/166	1200/166
TRACTION			
Transmission	4 speed hydrostatic	4 speed hydrostatic	4 speed hydrostatic
Heavy duty adjustable steering axle	•	•	•
Final drive type	bull gear	Planetary	Planetary
Powered rear axle	○	○	○
Differential lock	•	•	•
OPERATOR CAB			
"Comfort" cab: new seat positioning for added leg room, instructor seat, narrow adjustable steering console, rearranged right hand console and switches in cab, new Multifunction handle, large openable graintank window, right hand emergency exit	○	○	○
"Luxury" cab (Comfort cab, plus: Elec.mirrors, sunshades, leather steering wheel, removable cool box, added storage space, semi-active leather seat option, added trim)	○	○	○
ADVANCED FARMING SYSTEMS (AFS)			
Yield & moisture monitoring / mapping	○	○	○
AFS Precision Farming ready and Guidance ready	•	•	•
OVERALL MACHINE SPECS			
Length – feeder to rear trim panel (mm)	8,050	8,050	8,050
Wheel base (mm)	3,752	3,752	3,752
Minimum height (transport) (mm)	3,980	3,980	3,980
Width with narrowest tyres fitted – min (mm)	3,490	3,490	3,490
Approximate weight of machine (kg)	18,400	18,500	19200 (on tracks)
TYRE OPTIONS			
Front tyres	VF710/70R42 CFO 190B R1W / IF800/70R38 CFO 187A8 R1W / IF900/60R32 CFO 188A8 R1W / IF900/60R38 CFO 184A8 R1W		
Rear tyres	500/85R24 IMP 165A8/177A8 R1W / 600/70R28 161A8 R1W / VF620/70R26 170A8 R1W / 750/65R26 166A8 R1W		
Tracks	610 mm or 760 mm track width, tricycle system with rubber dampening / 610 mm or 724 mm track width, tricycle with hydraulic suspension		

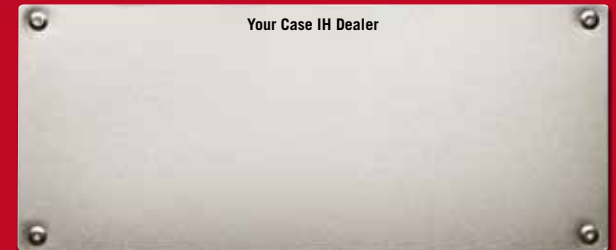
¹⁾ ECE R-120 correspond to ISO TR14396 ¹⁾ FPT Industrial engine • Standard ○ Optional – not available



Safety never hurts! Always read the Operator's Manual before working with any equipment. Inspect equipment before using it, and be sure it is operating properly. Follow the product safety signs, and use any safety features provided. This literature has been published for worldwide circulation. The standard and optional equipment and the availability of individual models may vary from one country to the next. Case IH reserves the right to undertake modifications without prior notice to the design and technical equipment at all times without this resulting in any obligation whatsoever to make such modifications to units already sold. Whilst every effort is made to ensure that the specifications, descriptions and illustrations in this brochure are correct at the time of going to press, these are also subject to change without prior notice. Illustrations may show optional equipment or may not show all standard equipment. Case IH recommends **AKCELA** lubricants.

Case IH EMEA Brand Communications - Steyrer Strasse 32, 4300, Sankt Valentin, Austria - © 2014 CASE IH - Visit our website: www.caseih.com

Send us an e-mail: Africa.MaxService@caseih.com - MiddleEast.MaxService@caseih.com - Axial-Flow® 240 Series - Cod. N. 15MEAC2001COM



Your Case IH Dealer